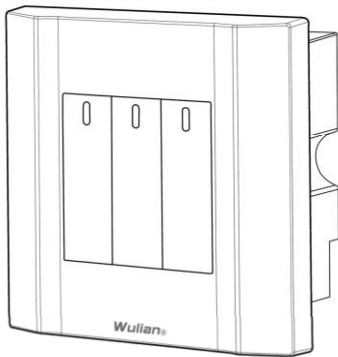


Wireless Wall Switch (Single Rocker)

Model: WL-SFB-S Series


User Manual



Picture is only for reference

Copyright notation

©
2012 Nanjing IOT Sensor Technology Co., Ltd All Rights Reserved.

Wulian,  is the trademark and registered trade mark of *Nanjing IOT Sensor Technology Co., Ltd.* The other products mentioned in this article or company names may be the trademark or trade name of their respective owners.

Before installing and using the products, please read user manual carefully, which will help you use the products for better.

The pictures in the manual are just for your information. If some pictures have differences with material object, the material object is final.

The content in the manual is protected by copyright law legislator. It strictly prohibits any forms of copying, passing, distributing and storing any content of the manual without prior, written, consent of the instructor of *Nanjing IOT Sensor Technology Co., Ltd.*

When using, if the practical situation of the product is different with that in the manual, or if you want to get more information, or you have any questions or ideas, please contact us as below:

1 Production Introduction

Wireless Wall Switch (Single Rocker) series, based on ZigBee protocol, allow users to control indoor switches remotely through cellphone, tablet and other smart mobile terminals, saving you more energy.

This series of products are also widely applied in smart building, smart hospital, smart hotel, and smart breeding etc except for smart home system.



(This brochure takes 3-way single rocker wall switch for example)

II Function Features

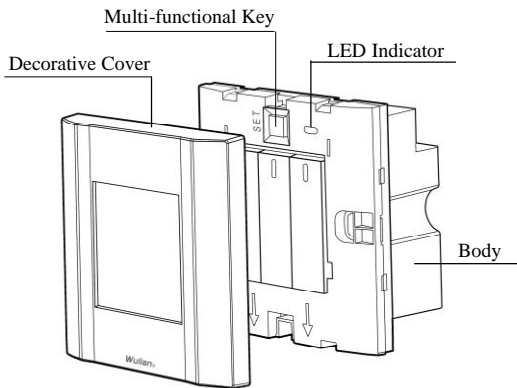
Support ZigBee HA protocol

ZigBee device type : Repeater

Simple and fashionable shape

Rocker design with easy and flexible operation Easy
to install

III Function illustration



IV Installation steps

1. Connect this product with the wire of the wall box;

Null Line Version

	1-way	2-way	3-way
E	Protect the earth		
A	1-way Load Output (LiveLine)	1-way load output (LiveLine)	1-way Load output (Live Line)

B	/	2-way load output (Live Line)	2-way Load output (LiveLine)
C	/	/	3-way Load output (Live Line)
D	/	/	/
N	Null Line Input/Load null line output		
L	Live Line Input		

Single live line version

	1-way	2-way	3-way
E	Protect the earth		
A	1-way load Output (liveline)	1-way Load output (live line)	1-way Load output (liveline)
B	/	2-way Load output (live line)	2-way Load output (live line)
C	/	/	3-way Load output (live line)
D	/	/	/

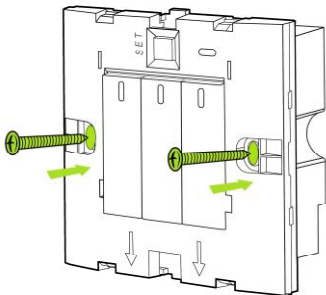
L	Live Line Input
---	-----------------

Note: Please make sure that the power has been turned off before installation!

Dangerous, non-professionals are prohibited operating without authorization.

Choose the version that is required.

2. Fasten the base of this product inside the wall box with 2 screws, same installation method with the ordinary wall switch;



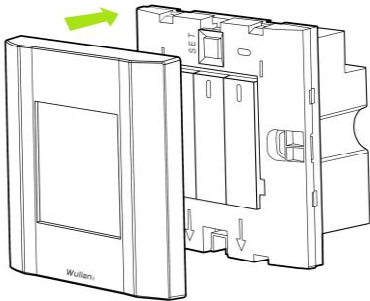
3. Shut down the decorative cover for the final installation.
(as

V. Application methods

1. Networking setup

- (1) It can be used as an ordinary wall switch, or used together with communication gateway;

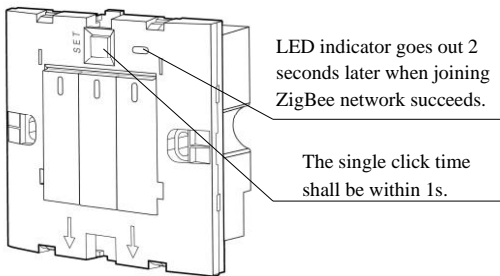
shown in the picture).





(2) Quickly click **【multi-function key】** 4 times to join ZigBee

network. LED indicator flashes when it is searching the network;

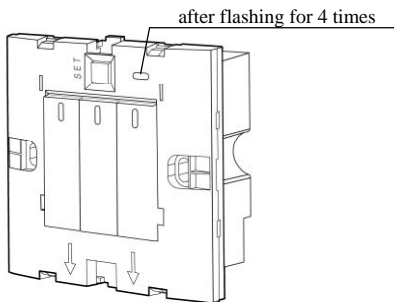


LED indicator goes out 2 seconds later when joining ZigBee network succeeds.

The single click time shall be within 1s.

(3) Long press **【Multifunction Key】** 10 s to resume to default setting.

LED indicator goes out



Factory setup is not to join ZigBee network by default.

(Note: Operation steps of 1-way and 2-way switch are the same with 3-way one.)

2. Software download

- (1) Choose the related software according to different smart mobile terminal:
 - a) Android users can search for the term“wulian” in Google Play Store, select “Wulian Smart Home” for downloading;
 - b) iPhone and iPad users can log into APP Store and search for the term“Wulian”, select “Wulian Smart Home”for downloading;
 - c) Users can also directly download from our official website <http://www.wulian.cc>.
- (2) Install and operate according to the indication of each version of software;
- (3) Installation completed, enter setup and usage interface;

- (4) It also supports computer operation according to users' needs.

3. How to use

Users can control the switch with ease via mobile terminal device and choose any scene mode. Specific operational processes see various versions of instructions.

VI Notes

Installation

If you are new to using it, please read this product instruction carefully before installation.

Cleaning

This product should be installed in a clean and dry place to avoid humidity or other material entering internal components which will influence its work. When the surface is stained with dust,

dry it with soft cloth, cleaning fluid with corrosive composition and other chemical solvent are forbidden.

Storage

Those products packed in boxes should be placed in the location which is dry, free of corrosive gas and available to air. The height of pile should be no more than 10 layers. Store temperature should be between $-10^{\circ}\text{C}\sim+40^{\circ}\text{C}$ with humidity $\leq 75\%$.

Transportation

Those products packed in boxes can be transported with any kind of means, if the direct influence of rain, snow, and severe impact is avoided.

After-sale service

Once broken, it should be send to the local maintenance station and only professional personnel can open it. Our customer service department is also available for help.

VI Product Specification

Weight	250g
Net Weight	200g
Color	Multiple colors available

VIII Contents within the package

Components	Quantity
Wireless Wall Switch (Single Rocker)	1
Decorative cover	1

Instruction	1
Screw(s)	2

IX Ordering Information

Product	Art.No.	Model NO.
1-way	WLPN1211151 (Single live line version)	WL-SFB-S01
	WLPN1211161 (Null line version)	
2-way	WLPN1211152 (Single Live line version)	WL-SFB-S02

	WLPN1211162 (Single live line version)	
3-way	WLPN1211153 (Single live line version)	WL-SFB-S03
	WLPN1211163 (Null line version)	
Packing Size	138×118×68mm	
Power	110V-250V	

	Type of Workload
--	-------------------------

Single live line version	Capacitive/Resistive load: 300W per way (Incandescent lamp & downlight)
	Inductive load: 150W per way (inductive fluorescent lamp)
Null line version	Resistive load: 1000W per way
	Inductive / capacitive load: 350W
	Total load shall be within 2000W (resistive load)