

Installation Manual

Premier 8XP

Issue 4



Texecom
www.texecom.com

Introduction

This manual is intended for version 9 expanders and above.



NOTE

To identify the expander version number, check the label on the processor chip in the PCB.

New features on Version 9 Expanders

- Support for Texecom Intelligent PSU via on board Com Port.
- Support for Texecom RadioPlus Intelligent Receiver via on board Com Port.
- Support for multiple end of line (EOL) resistor configurations (when fitted on version 8 Premier systems).

1. Installation

The *Premier 8XP* expander is only compatible with the *Premier* range of control panels.

Expanders can be connected serially (daisy chain), in parallel (star) or any combination of the two.

Mounting

Remove each screw cap by inserting a flat bladed screwdriver into the slot and turning anti-clockwise, excessive force is **NOT** required. Remove both of the cover screws and put them in a safe place along with the screw caps. Gently pull the cover away from the base applying slight pressure to the sides at the top of the expander if required. The front cover should now be off.

Mount the expander using at least two appropriate countersunk screws (no larger than No. 8). A keyhole slot has been provided to assist mounting and aid levelling.

Wiring

It is strongly recommended that the system is completely powered down (mains and battery) before wiring an expander. Connect the expander to the control panel using 4-core cable as follows:

Expander	Control Panel	Description
+	+	+12V Supply
-	-	0V Supply
T	T	Transmit Data
R	R	Receive Data

The networks are made up of four terminals incorporating power and data. To ensure correct operation, all four terminals on the device must be connected to the corresponding terminals on the control panel or previous device.










Expanders can be connected using 4-core cable. However, it is recommended that 6 or 8-core cable is used as the spare cores can be used to 'Double Up' on the power connections if needed.



Standard 7/0.2 alarm cable can be used for most installations. However, under certain conditions it may be necessary to use screened cable.

Selecting an Address

Each expander must be assigned a different address using the DIL switches located in the centre of the PCB. The table below shows the expander addressing:

Address	DIL 1	DIL 2	DIL 3	DIL 4	
1	On or Off	Off	Off	Off	
2	Off	On	Off	Off	
3	Off	Off	On	Off	
4	Off	Off	Off	On	
5	On	Off	Off	On	
6	Off	On	Off	On	
7	Off	Off	On	On	
8	On	Off	On	On	



Never set two expanders on the same network to the same address.

Expanders are factory set to address 1.

Star and Daisy Jumper Option

The PCB has a jumper JP3 which allows you to select either STAR (S) or DAISY (D) wiring configuration. The jumper should be set as follows:



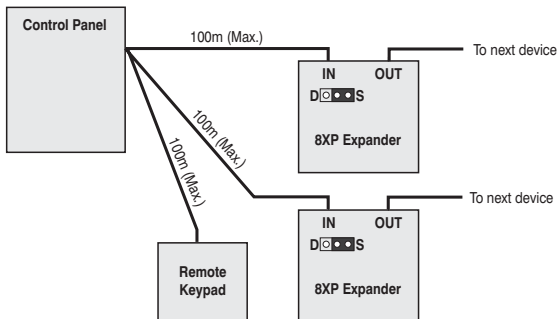
If the network IN connection is wired in parallel with any other device the jumper **MUST** be set to the **S** position. All previous versions of the expander operated in this mode and for backward compatibility the unit is supplied with the jumper in this position.



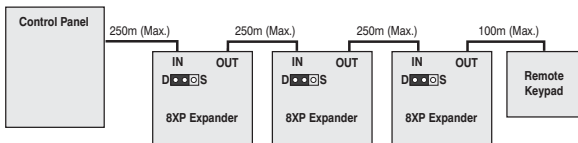
If the network IN connection is only wired to one device the jumper should be set to the **D** position.

When the jumper is set to the STAR position the network data signals are not boosted between expander and the previous device. In this mode the network cabling **MUST** not exceed 100m between devices. When the jumper is set to the DAISY position the network data signals are boosted between the expander and the previous device. This mode will allow expanders on the network to be connected up to 250m apart and **MUST** only be selected if the expander has one device connected to the network "IN" connections.

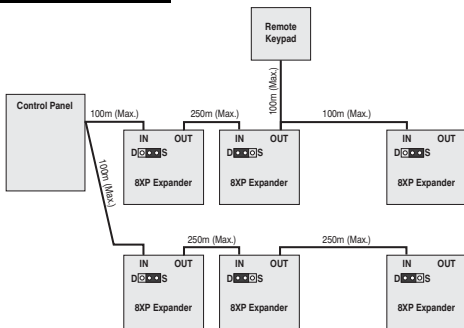
Star wiring example



Daisy chain wiring example



Combined Wiring example



Wiring Zones

Please refer to the control panel Installation Manual for details on wiring, programming and testing the zones.

Wiring Outputs

Please refer to the control panel Installation Manual for details on wiring, programming and testing the outputs.

Wiring Loudspeakers

Please refer to the control panel Installation Manual for details on wiring, volume adjustment and testing the loudspeaker.

Com Port

The 8XP incorporates a com port which can be used to connect either a RadioPlus Intelligent Receiver or PSU200 Intelligent Power Supply.

No programming is required for either device.

See the device and panel manuals for operation.

2. Specifications

Electrical

Operating Voltage:	10 -14VDC
Current Consumption:	<120mA
Outputs 1- 8:	100mA switched -ve
Loud Speaker Output:	Minimum impedance 80Ohms

Environmental

Operating Temperature:	-10°C to +55°C
Maximum Humidity:	95% non-condensing

Physical

Dimensions:	170mm x 140mm x 35mm
Material:	Polycarbonate
Packed Weight:	200g

Standards

Control Panel Standard:	TS 50131-3 Grade 3 Environmental Class II.
System Standard:	Suitable for use in systems designed to comply with BS EN50131-1, PD 6662: 2004



The *Premier 8XP* conforms to European Union (EU) Low Voltage Directive (LVD) 73/23/EEC (amended by 93/68/EEC) and Electro-Magnetic Compatibility (EMC) Directive 89/336/EEC (amended by 92/31/EEC and 93/68/EEC).

The CE mark indicates that this product complies with the European requirements for safety, health, environment and customer protection.

Warranty

All Texecom products are designed for reliable, trouble free operation. Quality is carefully monitored by extensive computerised testing. As a result the *Premier 8XP* is covered by a two-year warranty against defects in materials or workmanship.

As the *Premier 8XP* is not a complete alarm system but only a part thereof, Texecom cannot accept responsibility or liability for any damages whatsoever based on a claim that the control panel failed to function correctly.

Due to our policy of continuous improvements Texecom reserve the right to change specification without prior notice.

Texecom

www.texe.com

Texecom Limited, Bradwood Court, St. Crispin Way, Haslingden,
Lancashire BB4 4PW, England.

Technical Support:

UK Customers Tel: 08456 300 600

(Calls charged at 3.36 pence per minute from a BT landline. Calls from
other networks may vary.)

International Customers Tel: +44 1278 411707

Email: customersupport@texe.com

© Texecom Limited 2008