

HCD544/HCD544X

www.honeywellvideo.com

TRUE DAY/NIGHT HIGH RESOLUTION CAMERA

The Honeywell HCD544 True Day/Night camera is ideally suited for use in 24/7 surveillance applications. The HCD544 adapts to varying lighting conditions to ensure the highest quality picture even in very low light. When the light level drops too low for accurate video identification in color, the camera automatically moves the IR cut filter out of the optical path and then switches to black and white video to capture more detail using the increased sensitivity of the CCD to IR light. The camera uses internal logic or an external LAMP connector to control the switchover from color to black and white. This improves the reliability of the operation of the camera in difficult installations or lighting conditions.

An on-screen text menu simplifies all setup and adjustment options. Menu navigation is simple and picture adjustments can be made in a matter of seconds with easy-to-use pushbuttons on the back of the camera. The HCD544 includes an automatic electronic shutter for changes in light level, and automatic backlight compensation option for viewing backlit scenes. The HCD544 produces 540 TV lines of resolution for applications requiring the highest level of sharpness in video quality as well as providing reliable video quality even in low light conditions down to 0.1 lux, or 0 lux with auxiliary infrared lighting.

Market Opportunities

The HCD544 is designed for high resolution 24/7 surveillance applications, including those using infrared illumination. This includes general indoor surveillance applications in retail, financial, and other commercial markets. Combined with the HHC12 environmental housing, the HCD544 can be used as a solution for outdoor applications such as parking lots, building entranceways, and driveways.

Features

- 1/3" CCD with DSP
- >540 TV lines of resolution
- True Day/Night low light performance down to 0.1 lux (F1.2)
- Moving IR cut filter switched using internal logic or external control
- Automatic Electronic Shutter (AES)
- Automatic Backlight Compensation (BLC)
- Auto Sensing 12 VDC/24 VAC
- DC and manual iris lens support
- Improved low light sensitivity using external IR illumination



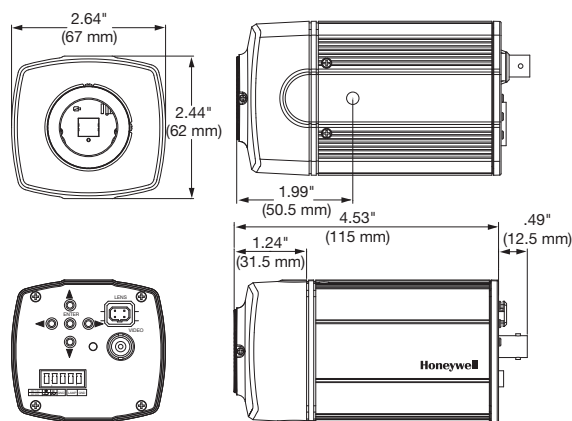
HCD544/HCD544X

www.honeywellvideo.com

SPECIFICATIONS

| Operational | HCD544 | HCD544X |
|------------------------------|---|-----------------------------|
| Video Standard | NTSC | PAL |
| Image Sensor | 1/3" CCD | |
| Scanning System | 525 lines, 2:1 interlace | 625/50 lines, 2:1 interlace |
| Number of Pixels (H x V) | 768 x 494 | 752 x 582 |
| Minimum Illumination | 0.5 lux color/0.25 lux B/W @ 50 IRE, f1.2 0.3 lux color/0.1 lux B/W @ 30 IRE, f1.2 | |
| Horizontal Resolution | Greater than 540 TVL | |
| Video Output | 1 Vp-p @ 75 Ohms | |
| Sync System | 12 VDC: Internal 24 VAC: Internal | |
| S/N Ratio | 50 dB or more (AGC off) | |
| Auto Gain Control | Off/On, selectable | |
| Automatic Electronic Shutter | 1/60 – 1/100,000 sec | 1/50 – 1/100,000 sec |
| White Balance | ATW/AWC Push Lock/AWC Auto/Manual/User | |
| BLC | Off/On | |
| Gamma | 0.45 | |
| Electrical | | |
| Input Voltage | 12 VDC/24 VAC | |
| Input Range | 11 – 16 VDC, 17 – 28 VAC | |
| Surge Suppression | 1.5 kW transient | |
| Power Consumption | 4.5 W (max) | |
| Mechanical | | |
| Dimensions | See Dimensions | |
| Weight | 1.1 lb (.5 kg), camera only | |
| Construction (housing) | Extruded aluminum Finish: cool gray powder coated | |
| Connectors | Main Video Output: BNC Lens: 4-pin connector Power Input/LAMP: removable 5-pin screw terminal block | |
| Environmental | | |
| Temperature | Operating: 14°F to 122°F (-10°C to 50°C) | |
| Storage | -4°F to 140°F (-20°C to 60°C) | |
| Relative Humidity | 0% to 85%, non-condensing | |
| Regulatory | | |
| Emissions | FCC, CE (EN55022) | |
| Immunity | CE (EN50130-4) | |
| Safety | LVD 2006/95/EC | |

| Accessories | |
|---------------------------------|---|
| Recommended Lens Options | |
| HLD29V8DNL | 2.9-8 mm, F0.95, DC Auto Iris lens, IR corrected |
| HLD27V13DNL | 2.7-13.5 mm, F1.3, DC Auto Iris lens, IR corrected |
| HLD5V50DNL | 5.0-50 mm, F1.6, DC Auto Iris lens, IR corrected |
| Housing and Mounts | |
| HBC5WT | Wall/ceiling mount bracket |
| HHC12 | Series housings with optional heater/blower and mounts |
| Transformers | |
| HPT2420 | 24 VAC, 20 VA Class 2 plug-in with thermal cut-out |
| HPT2440 | 24 VAC, 40 VA Class 2 plug-in with thermal cut-out |
| HPT12DC1000 | 12 VDC, 1000 mA plug-in regulated 2.1 mm coaxial plug UL Listed/CSA Certified |
| Power Supplies | |
| UL Listed | Description |
| HPTV2404UL | 4A, 4 Output |
| HPTV2408UL | 4A, 8 Output |
| HPTV2416UL | 8A, 16 Output |



| Ordering | |
|----------|--|
| HCD544 | 1/3" CCD High Resolution True Day/Night Camera with DSP, 540 TVL, 0.3 lux, 12 VDC/24 VAC, NTSC |
| HCD544X | 1/3" CCD High Resolution True Day/Night Camera with DSP, 540 TVL, 0.3 lux, 12 VDC/24 VAC, PAL |

Honeywell Security & Data Collection

Honeywell
2700 Blankenbaker Pkwy, Suite 150
Louisville, KY 40299
1.800.796.CCTV (2288)
www.honeywell.com

L/HCD544D/D
May 2009
© 2009 Honeywell International Inc.

Honeywell
www.asi.ind.in