

HCS544

DAY/NIGHT CAMERA, 540 TVL

The Honeywell HCS544 day/night camera adapts to varying lighting conditions to ensure the highest picture quality even in extreme low light conditions. When the light level drops too low for accurate video identification in color, the camera automatically switches to black and white video to capture more detail.

Low light performance is enhanced through the use of Digital Noise Reduction technology which removes noise artifacts, increasing the performance of video compression algorithms – giving end users the ability to record for longer periods using their existing DVR unit. Digital Slow Shutter technology further improves the light sensitivity of the camera and extends its usable range.

An On-Screen Display text menu simplifies all setup and adjustment options. Menu navigation is simple and picture adjustments can be made in a matter of seconds with easy-to-use pushbuttons on the back of the camera.

The HCS544 includes an automatic electronic shutter for changes in light level, and three zones of automatic backlight compensation options for viewing backlit scenes. The HCS544 produces 540 TV lines of resolution for applications requiring the highest level of sharpness in video quality as well as providing reliable video quality even in low light conditions down to 0.1 lux.

Market Opportunities

The HCS544 is a general surveillance solution designed for object recognition that is required in locations where variable light and low light conditions exist. Setup is quick and easy and can be customized with on-screen displays and preset modes. This provides optimum performance for both indoor and outdoor applications including lobbies, atriums, vestibules, gated entrances, foyers, loading docks and driveways.

Features

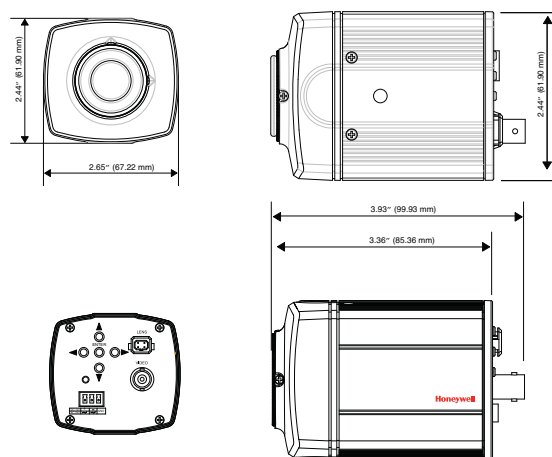
- 540 TV lines of resolution
- Digital Noise Reduction technology for noise free images
- Digital Slow Shutter for improved sensitivity in low light conditions
- On-Screen Display menu for quick camera setup
- Variable AGC Setting to adjust the level at which the camera switches from color to black and white in low light
- One power connection self-configures to 12 VDC or 24 VAC with transient surge protection



SPECIFICATIONS

| Operational | |
|---------------------------------|--|
| Video Standard | NTSC, PAL |
| Scanning System | 525/60 lines (NTSC), 625/50 lines (PAL) |
| Image Sensor | 1/3" CCD |
| Number of Pixels (H x V) | HCS544: 768 x 494 (NTSC) HCS544X: 752 x 582 (PAL) |
| Minimum Illumination | 0.3 lux color/0.1 lux BW |
| Horizontal Resolution | Greater than 540TVL |
| Video Output | 1.0 Vp-p @ 75 Ohms |
| Sync System | 12 VDC: Internal 24 VAC: (Internal/Line lock) |
| S/N Ratio | 50dB or more (AGC off) |
| Auto Gain Control | Off/On, selectable |
| Automatic Electronic Shutter | 1/60 – 1/120,000 sec (NTSC) 1/50 – 1/120,000 sec (PAL) |
| White Balance | ATW/AWC/Manual |
| Line Lock Phase Adjustment | Adjustable line lock vertical phase |
| Backlight Compensation | Off/On, selectable |
| Gamma | 0.45 |
| Digital Noise Reduction | High/Medium/Low/Off |
| Digital Slow Shutter | x2 – x128 |
| Electrical | |
| Input Voltage | 12 VDC/24 VAC |
| Input Range | 11–16 VDC, 17–28 VAC |
| Surge Suppression | 1.5 kW transient |
| Power Consumption | 3.5 W (max) |
| Mechanical | |
| Dimensions | See Diagram |
| Weight | 1.1 lb (0.5 kg) camera only |
| Construction | Housing: Aluminum Finish: Cool Gray Powder Coat |
| Connector | Video Output: BNC connector Lens: 4 Pin Connector Power Input: Removable screw terminal block |
| Environmental | |
| Temperature | Operating: 14°F to 122°F (-10°C to 50°C) Storage: -4°F to 140°F (-20°C to 60°C) |
| Relative Humidity | 0% to 85%, non-condensing |

| Regulatory | | |
|--------------------------|--|---------------|
| Emissions | FCC, CE (EN55013) | |
| Immunity | CE (EN50130-4) | |
| Safety | EU: 73/23/EEC LVD | |
| Accessories | | |
| Recommended Lens Options | | |
| HLD25V6F12L | 2.5 – 6 mm, F1.2, DC Auto Iris lens | |
| HLD28V8F95L | 2.8 – 8 mm, F0.95, DC Auto Iris lens | |
| HLD27V13DNL | 2.7 – 13.5 mm, F1.3, DC Auto Iris lens, IR corrected | |
| HLD5V50F13L | 5.0 – 50 mm, F1.3, DC Auto Iris lens | |
| Housing and Mounts | | |
| HBC5WT | Wall/ceiling mount bracket | |
| HHC12 Series | Housings with optional heater/blower and mounts | |
| Transformers | | |
| HPT2420 | 24 VAC, 20 VA Class 2 plug-in with thermal cut-out | |
| HPT2440 | 24 VAC, 40 VA Class 2 plug-in with thermal cut-out | |
| HPT12DC1000 | 12 VDC, 1000 mA plug-in regulated 2.1 mm coaxial plug UL Listed/CSA Certified | |
| Power Supplies | | |
| UL Listed | Smart Fused | Description |
| HPTV2404UL | HPTV2404CB | 4A, 4 Output |
| HPTV2408UL | HPTV2408CB | 4A, 8 Output |
| HPTV2416UL | HPTV2416CB | 8A, 16 Output |



| Ordering | |
|----------|--|
| HCS544 | Super High Resolution Day/Night Camera, 540 TVL, NTSC, 12 VDC/24 VAC |
| HCS544X | Super High Resolution Day/Night Camera, 540 TVL, PAL, 12 VDC/24 VAC |

Automation and Control Solutions

Honeywell Systems
2700 Blankenbaker Pkwy, Suite 150
Louisville, KY 40299
1.800.323.4576
www.honeywell.com

L/HCS544D/D
February 2008
© 2008 Honeywell International Inc.

Honeywell

www.asi.ind.in