

TCM-3111

H.264 Megapixel IP PoE
Fixed Dome



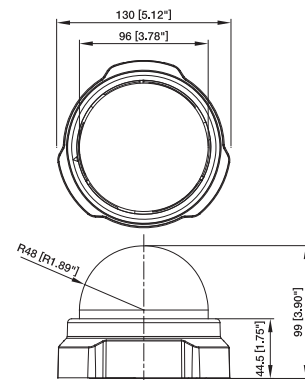
- 1/3" Progressive Scan CMOS
- Minimum illumination 0.5 Lux at F1.0
- Built-in f4.2mm / F1.8 Megapixel fixed lens
(It is possible to replace the bundled lens with the optional lens)
- 18 fps at 1280 x 1024 resolution
- Selectable H.264, MPEG-4 SP, MJPEG compressions with dual streaming
- Powered by PoE Class 2

PHOTO INDICATION



- 1 Power LED
- 2 Ethernet Port
- 3 Reset Button

DIMENSION DIAGRAM



Unit: mm [inch]

ACCESSORY OPTIONS

Lens		
PLEN-0121		IR Compatible, Fixed Iris, F2.0, 2.8 mm, 92.5°
Dome Cover		
PDCX-0101		3-inch, smoke, non-vandal proof

Popular Mounting Solutions		
Surface	Accessories not required	
Wall	PMAX-0308 	
Pendant	PMAX-0101 PMAX-0103 	
Corner	PMAX-0101 PMAX-0303 PMAX-0402 	
Pole	PMAX-0101 PMAX-0303 PMAX-0502 	
Flush	PMAX-1006 	

* For more mounting solutions, please refer to Mounting Accessory section of Buyer's Guide or Project Planner on www.acti.com

PRODUCT SPECIFICATION

TCM-3111

• Device

Device Type	Fixed Dome Camera
Image Sensor	Progressive Scan CMOS
Sensor Size	1/3" (4.8 x 3.6 mm)
Day / Night	Yes (electronic)
Minimum Illumination	Color: 0.5 lux at F1.0 (30 IRE, 2400°K); B/W: 0.5 lux
Color to B/W switch	DSP based switch, configurable
Mechanical IR Cut Filter	No
IR Sensitivity Range	No
IR LED	No
Electronic Shutter	1/30 - 1/1,000 sec (60Hz); 1/25 - 1/1,000 sec (50Hz) (manual mode) 1/5 - 1/15,000 sec (auto mode)

• Lens*

Focal Length / Aperture	Fixed focal, f4.2 mm / F1.8
Iris	Fixed iris
Focus	Fixed focus
Horizontal Viewing Angle	68.15°
Viewing Angle Adjustment	Pan: 0° - 170°; Tilt: 0° - 180°

• Video

Compression	H.264, MPEG-4 SP, MJPEG
Maximum Frame Rate vs. Resolution	18 fps at 1280 x 1024 (SXGA); 26 fps at 1280 x 720 (HD 720p); 30 fps at 640 x 480 (VGA); 30 fps at 320 x 240 (QVGA); 30 fps at 160 x 112 (QQVGA)
Multi-Streaming	Simultaneous dual streams based on two configurations
Bit Rate	28 Kbps - 6 Mbps (per stream)
Bit Rate Mode	Constant, Variable
S/N Ratio	More than 44 dB
Image Enhancement	White balance: automatic, hold, predefined and manual; Brightness; Saturation; Contrast; Sharpness; Auto exposure: automatic, predefined and manual; Flickerless
Privacy Mask	4 configurable regions
Text Overlay	User defined text on video
Image Orientation	Image flip and mirror

• Network

Protocol & Service	TCP, UDP, HTTP, HTTPS, DHCP, PPPoE, RTP, RTSP, IPv6, DNS, DDNS, NTP, ICMP, ARP, IGMP, SMTP, FTP, UPnP, SNMP, Bonjour
Ethernet Port	1, Ethernet (10/100 Base-T), RJ-45 connector
Security	IP address filtering; HTTPS encryption; Password protected user levels; IEEE 802.1X network access control

• Alarm

Alarm Trigger	Video motion detection (3 regions)
Alarm Response	Notify control Center; Change camera settings; Command other devices; E-mail notification with snapshots; Upload video, snapshot to FTP server

• General

Power Source / Consumption	PoE Class 2 (IEEE802.3af) / 4.368 W
Weight	270 g (0.6 lb)
Dimensions (Ø x H)	130 mm x 99 mm (5.12" x 3.90")
Mount Type	Surface, Pendant, Wall, Corner, Pole, Flush
Operating Temperature	-10 °C ~ 50 °C (14 °F ~ 122 °F)
Operating Humidity	10% ~ 85% RH
Approvals	CE, FCC

• Integration

Unified Solution	Fully compatible with ACTi software
ISV Integration	Software Development Kit (SDK) available ; ONVIF compliant
Firmware Access Browser	Microsoft Internet Explorer 6.0 or newer

* It is possible to replace the bundled lens with the optional lens.