

DH-CA-D480P/N

700TVL Mini Dome Camera



Model

DH-CA-D480P: 700TVL, PAL

DH-CA-D480N: 700TVL, NTSC

Features

- > 1/3" SONY EXview HAD CCD II & Effio-E DSP
- > High resolution of 700TVL(Color)
- > Mini. Illumination of 0.05Lux@F1.2
- > 2D- NR, AWB, AGC, BLC, HLC, ATR, MD, Privacy Mask, Picture Adjust
- > Powerful OSD operational function
- > Optional Lens: 2.8mm, 3.6mm, 6mm, 8mm
- > DC12V

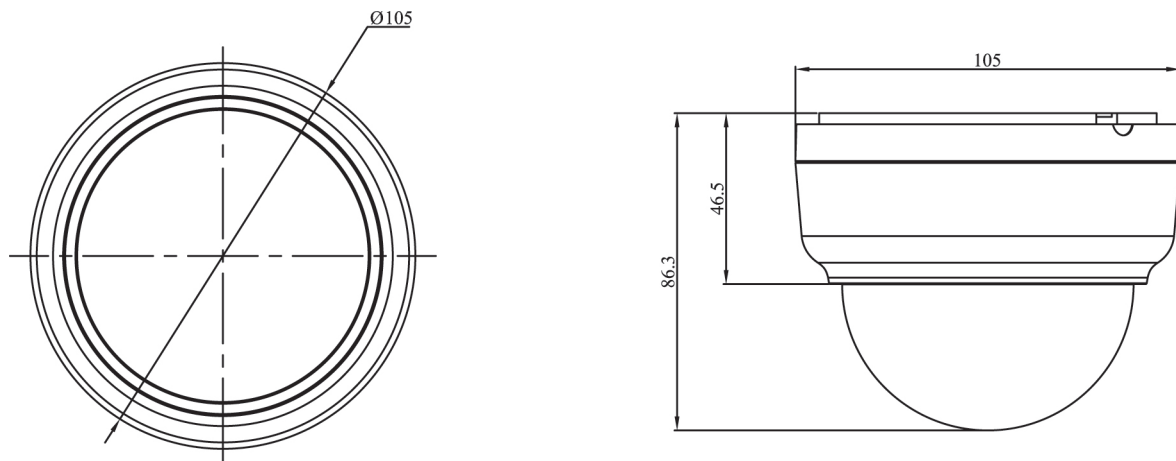
DH-CA-D480P/N

Specifications

Model	DH-CA-D480P	DH-CA-D480N
Camera		
Image Sensor	1/3" EXview HAD CCD II	
Video Format	PAL	NTSC
Effective Pixels	976(H) x 582(V), 570K pixels	976(H) x 494(V), 480K pixels
Horizontal Resolution	Color: 700TVL	
Mini. Illumination	0.05Lux@F1.2	
Electronic Shutter	Auto: 1/50s~1/100,000s Manual: 1/50s, 1/120s, 1/250s, 1/500s, 1/1000s, 1/2000s, 1/4000s, 1/10,000s	Auto: 1/60s~1/100,000s Manual: 1/60s, 1/100s, 1/250s, 1/500s, 1/1000s, 1/2000s, 1/4000s, 1/10,000s
Synchronization	Internal	
S/N Ratio	>60dB	
Video Output	1Vp-p Composite Output (75Ω/BNC)	
Lens		
Focal Length	Default: 3.6mm, (2.8mm, 6mm, 8mm optional)	
Lens Type	Manual	
Operational(OSD)		
Lens	Manual	
Shutter / AGC	Auto / Manual	
White Balance	ATW / Push / User 1 / User 2 / ANTI CR / Manual / Push lock	
Backlight	Off / BLC / HLC	
Picture Adjust	Mirror / Brightness / Contrast / Sharpness / Hue / Gain	
ATR	Off / On (luminance / Contrast)	
Motion Detect	Off / On (Sensitivity / Block display / Area selection)	
Privacy	Off / On (Area selection / Color / Transparent / Mosaic)	
Day/Night	Auto / B/W / Color	
Noise Reduction	Off / 2D	
Camera ID	Off / On (Character / Position)	
Language	English, Chinese, French, German, Russian, Spanish, Portuguese, Japanese	
General		
Power Supply	DC12V±10%	
Power Consumption	Max 3W	
Working Temperature	-30°C~+60°C	
Dimension	Φ105mm x 86.3mm	
Weight	350g	

DH-CA-D480P/N

Dimensions (mm)



Dahua Technology Co., Ltd.

1187 BinAn Road, Binjiang District, Hangzhou, China

Tel: +86-571-87688883

Fax: +86-571-87688815

Email: overseas@dahuatech.com

www.dahuatech.com

*Design and specifications are subject to change without notice.

© 2011 Dahua Technology Co., Ltd.