

DH-CA-D660P-P

High Resolution Mini Dome Camera



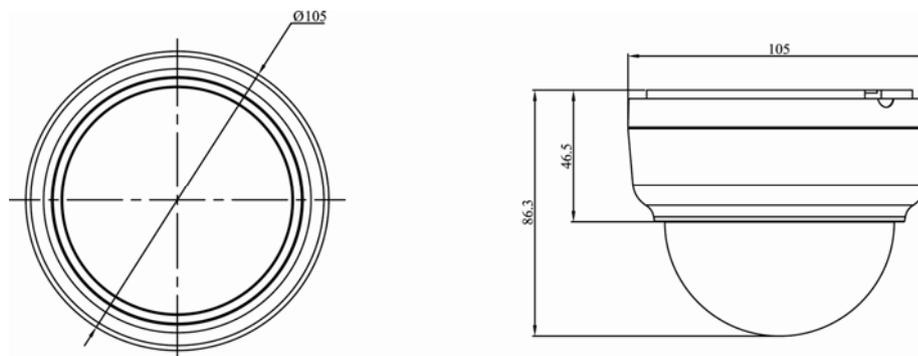
Model

DH-CA-D660P-P: 600TVL, PAL

Features

- > 1/3" SONY Super HAD II CCD
- > High resolution of 600TVL
- > Mini. Illumination of 0.1Lux/F1.2
- > Auto Electrical Gain control
- > Auto Electronic Shutter
- > Auto White Balance
- > Backlight Compensation
- > High Signal to Noise Ratio (SNR)
- > Support Pan/Tilt rotation

Dimensions (mm)



DH-CA-D660P-P

Specifications

Model	DH-CA-D660P-P	
Camera		
Image Sensor	1/3" SONY Super HAD II CCD	
Video Format	PAL	
Effective Pixels	752(H) x 582(V), 440K pixels	
Horizontal Resolution	600TVL	
Mini. Illumination	Color: 0.1Lux/F1.2	
Electronic Shutter	1/50s~1/100,000s	
S/N Ratio	>52dB(AGC Off)	
White Balance	Auto	
Gain Control	Auto	
BLC	Auto	
Synchronization	Internal	
Video Output	1Vp-p Composite Output (75Ω/BNC)	
Lens		
Focal Length	2.8mm, 3.6mm, 6mm, 8mm optional	
General		
Power Supply	DC12V±10%	
Power Consumption	2W	
Working Temperature	-10°C~+60°C	
Dimension	Φ105mm x 86.3mm	
Weight	350g	

Accessories (Optional)

Power: DC12V/0.8A

Dahua Technology Co., Ltd.

1187 BinAn Road, Binjiang District, Hangzhou, China

Tel: +86-571-87688883

Fax: +86-571-87688815

Email: overseas@dahuatech.com

www.dahuatech.com

*Design and specifications are subject to change without notice.

© 2010 Dahua Technology Co., Ltd.