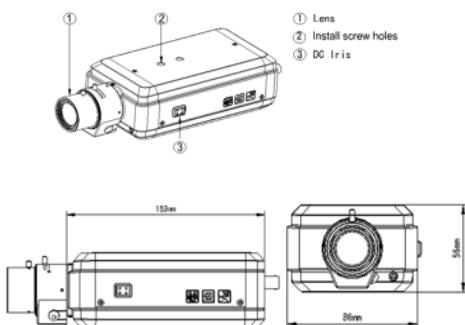


BE – 4710C
H.264, 1.0 MP IP Box Camera



Features :

- 1/4" 1.0Megapixels Progressive Scan CMOS
- H.264 Main profile & MJPEG dual-stream encoding
- Max 25/30fps@1.0Megapixels (1280x720)
- Digital WDR (>100db), 2D, 3D noise reduction, AWB, AGC, BLC
- Multiple network monitoring: Web viewer, CMS, Smart phone
- Support IR-CUT,
- Switch Day/Night by video detection or time.
- Support defogging,
- Support image rotation 90° or 270°
- Micro SD Card Slot (max 64GB),
- Support BNC Video Output (A/V)
- ONVIF 2.0 above
- **Optional POE : BE-4710-CP**



Dimension in mm

Specifications :

Image Sensor	1/4" 1.0 Megapixel PS OmniVision CMOS sensor
Effective Pixels	1280 x 720
Scanning System	Progressive
Electronics Shutter Speed	Auto(1/25,1/30~1/10000s)
Min . Illumination	0.1Lux/F1.2 (Colour), 0.05Lux/F1.2 (B&W)
S/N Ratio	>50db
Video Output	- NO -
Camera Features	
Day / Night	Auto Color to B&W
Backlight Compensation	BLC / HLC / WDR(digital)
White Balance	Auto
Gain Control	Auto
Noise Reduction	2D , 3D
Privacy Masking	Upto 4 Areas
Lens	
Lens Type	C/CS-Mount
Video	
Compression	H.264 High Profile, Main Profile, Baseline / MJPEG
Resolution	1280x720; 640x480, 320x240, 160x112
Frame Rate	Preferred Stream : 1280x720(1~25/30fps)
	Alternate Stream : 640x 480, 320x240, 160x112 (1~25/30fps)
Bit Rate	32KB ~ 16KB Mbps , support VBR , CBR
Network	
Ethernet	RJ-45 (10/100Base-T)
Protocol	IPV4/IPV6, HTTP, TCP/IP, UDP, RTP, RTCP, UPNP, RTSP, SMPT, NTP, DHCP, DNS, PPPoE , DDNS, FTP
ONVIF	ONVIF Ver.2.0
Max .User Access	10 users
Smart Phone	iPhone, iPad , Android , Symbian
Auxiliary Interface	
Memory Slot	Micro SD, Max 64GB
General	
Power Supply	DC12V
Power Consumption	≤ 3W
Temperature	-20°C ~ 60°C
Dimension	152 x 86 x 56 mm
Weight	0.7Kg