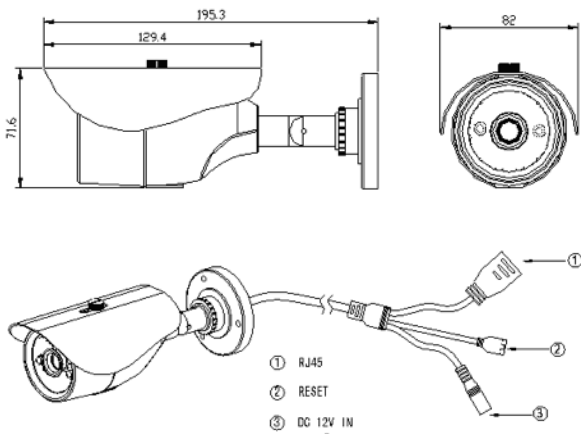


BE-4814BFP-IR15 H.264, 1.4 MP IP IR Bullet Camera



Features :

- 1/4" 1.4 MP Progressive CMOS sensor
- H.264 Main Profile & MJPEG dual-stream
- Max 25/30fps@1.4MP (1280x1024, 1280x720)
- Digital WDR, 2D , 3D NR, AWB, AGC, BLC
- Fixed Lens 2.6mm, 4mm , 6mm or 8mm.
- Multiple Network Monitoring: Web viewer, CMS, Smart phone.
- 15m IR Distance
- Support Defogging
- 3-Axis Rotational.
- IP66
- Micro SD Card Slot (max 64GB)
- Built-in POE



Specifications :

| | |
|----------------------------|---|
| Image Sensor | 1/4" 1.4 Megapixel CMOS sensor |
| Effective Pixels | 1280 x 1024 |
| Scanning System | Progressive |
| Electronics Shutter Speed | Auto(1/25,1/30~1/10000s) |
| Min . Illumination | 0.01Lux/F1.2 (Colour), 0.001 Lux/F1.2 (B/W); |
| S/N Ratio | >50db |
| Camera Features | |
| IR Distance | 10 ~ 15m Max |
| Day/Night | Color / B / W |
| Backlight Compensation | BLC / HLC / WDR(digital) |
| White Balance | Auto |
| Gain Control | Auto |
| Noise Reduction | 2D , 3D |
| Privacy Masking | Up to 4 Area |
| Lens | |
| Focal Length | 2.6mm, 4mm , 6mm or 8mm |
| Max Aperture | F1.4 |
| Focus Control | Manual |
| Angle of View | 97° ~ 67° |
| Lens Type | Fixed Iris (Fixed lens) |
| Mount Type | Board -in Type |
| Video | |
| Compression | H.264 High Profile, Main Profile, Baseline / MJPEG |
| Resolution | 1280x1024, 1280x720, 720x576, 640x480 |
| Frame Rate | Preferred Stream : 1280x1024 (1~25/30fps), 1280x720 (1~25/30fps) |
| | Alternate Stream : 720x576, 640x 480, 320x240 (1~25/30fps) |
| Bit Rate | 32KB ~ 16KB Mbps , support VBR , CBR |
| Network | |
| Ethernet | RJ-45 (10/100Base-T) |
| Protocol | IPV4/IPV6, HTTP, TCP/IP, UDP, RTP, RTCP,UPNP, RTSP, SMPT, NTP, DHCP, DNS, PPPoE , DDNS, FTP |
| ONVIF | ONVIF Ver.2.0 |
| Max .User Access | 10 users |
| Smart Phone | iPhone, iPad , Android , Symbian |
| Auxiliary Interface | |
| Memory Slot | Micro SD , Max 64GB |
| General | |
| Power Supply | DC12V, POE (802.3af) |
| Power Consumption | ≤ 5W |
| Temperature | -20°C ~ 60°C |
| Ingress Protection | IP66 |
| Dimension | 195.3 x 82 x 71.6 mm |
| Weight | 0.5 KG |