

DH-IPC-HDBW3300

3.0Megapixel Full HD Vandal-proof Network IR Dome Camera



Features

- 1/2.8" 3Megapixel progressive scan Exmor CMOS
- H.264 & MJPEG dual-stream encoding
- Max 20fps@3.0M(2048×1536)&25/30fps@1080P(1920×1080)
- DWDR, Day/Night(ICR), 2DNR, Auto iris, AWB, AGC, BLC
- Multiple network monitoring: Web viewer, CMS(DSS/PSS) & DMSS
- 3.3~12mm varifocal lens
- Built-in 2/1 alarm in/out
- Max. IR LEDs length 20m
- Micro SD memory, IP66, IK10, PoE

DH-IPC-HDBW3300

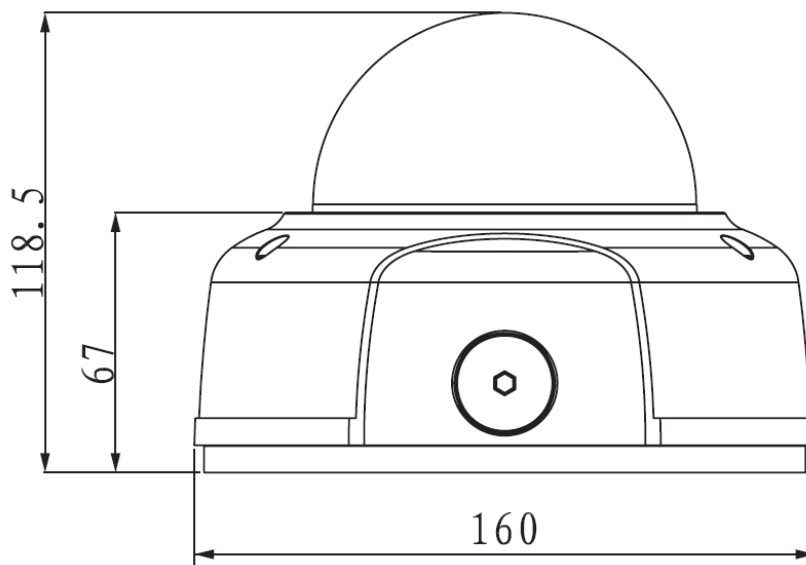
Technical Specifications

Model		DH-IPC-HDBW3300P	DH-IPC-HDBW3300N
Camera			
Image Sensor	1/2.8" 3Megapixel Exmor CMOS		
Effective Pixels	2096(H)x1561(V)		
Scanning System	Progressive		
Electronic Shutter Speed	Auto/Manual 1/3~1/10000	Auto/Manual 1/4~1/10000	
Min. Illumination	Color: 0.2Lux/F1.4, B/W: 0.01Lux/F1.4, 0Lux(IR on)		
S/N Ratio	>50dB		
Video Output	1 channel, BNC(1.0Vp-p, 75Ω)		
Camera Features			
Max. IR LEDs Length	20m		
Day/Night	Auto(ICR) / Color / B/W		
Backlight Compensation	BLC / HLC / DWDR		
White Balance	Auto		
Gain Control	Auto/Manual		
Noise Reduction	2D		
Privacy Masking	Up to 4 areas		
Lens			
Focal Length	3.3~12mm		
Max Aperture	F1.4		
Focus Control	Manual		
Angle of View	H: 79.3°(Wide)~29.8°(Tele)		
Lens Type	Manual / Auto Iris (DC)		
Mount Type	CS		
Video			
Compression	H.264 / MJPEG		
Resolution	3.0M(2048×1536) / 1080P(1920×1080) / 720P(1280×720) / D1(704×576) / CIF(352×288)	/	3.0M(2048×1536) / 1080P(1920×1080) / 720P(1280×720) / D1(704×480) / CIF(352×240) /
Frame Rate	Main Stream	3M(1~20fps)/1080P/720P(1 ~ 25/30fps)	
	Sub Stream	D1/CIF(1 ~ 25/30fps)	
Bit Rate	H.264: 32K ~ 8192Kbps, MJPEG: 32K ~ 24576Kbps		
Audio			
Compression	G.711a / G.711u (64kbps) / PCM(128kbps)		
Interface	1/1 channel In/Out		
Network			
Ethernet	RJ-45 (10/100Base-T)		
Protocol	IPv4/IPv6, HTTP, HTTPS, SSL, TCP/IP, UDP, UPnP, ICMP, IGMP, SNMP, RTSP, RTP, SMTP, NTP, DHCP, DNS, PPPOE, DDNS, FTP, IP Filter, QoS, Bonjour		

DH-IPC-HDBW3300

ONVIF	ONVIF Ver. 2.0
Max. User Access	10 users
Smart Phone	iPhone, iPad, Android, Windows Phone
Auxiliary Interface	
Memory Slot	Micro SD, Max 32GB
Alarm	2/1 channel In/Out
General	
Power Supply	DC12V/AC24V, PoE(802.3af)
Power Consumption	<10W
Working Environment	-10°C~+60°C, 10%~90%
Protection Level	IK10 & IP66
Dimensions	Φ160mm×118.5mm
Weight	1.25kg

Dimensions (mm)



<http://www.asi.ind.in>

Dahua Technology Co., Ltd.

1187 BinAn Road, Binjiang District, Hangzhou, China

Tel: +86-571-87688883

Fax: +86-571-87688815

Email: overseas@dahuatech.com

www.dahuatech.com

*Design and specifications are subject to change without notice.

© 2012 Dahua Technology Co., Ltd.