

DH-IPC-K6-I

VGA Network Cube Camera



Features

- 1/4" VGA CMOS
- H.264 dual-stream encoding
- Max 25/30fps@VGA(640×480)
- Day/Night(ICR), 2DNR, AWB, AGC, BLC
- Multiple network monitoring: Web viewer, CMS(DSS/PSS) & DMSS
- 4.3mm fixed lens
- Max. IR LEDs length 10m
- PIR Sensor Range 5m
- Micro SD memory

DH-IPC-K6-I

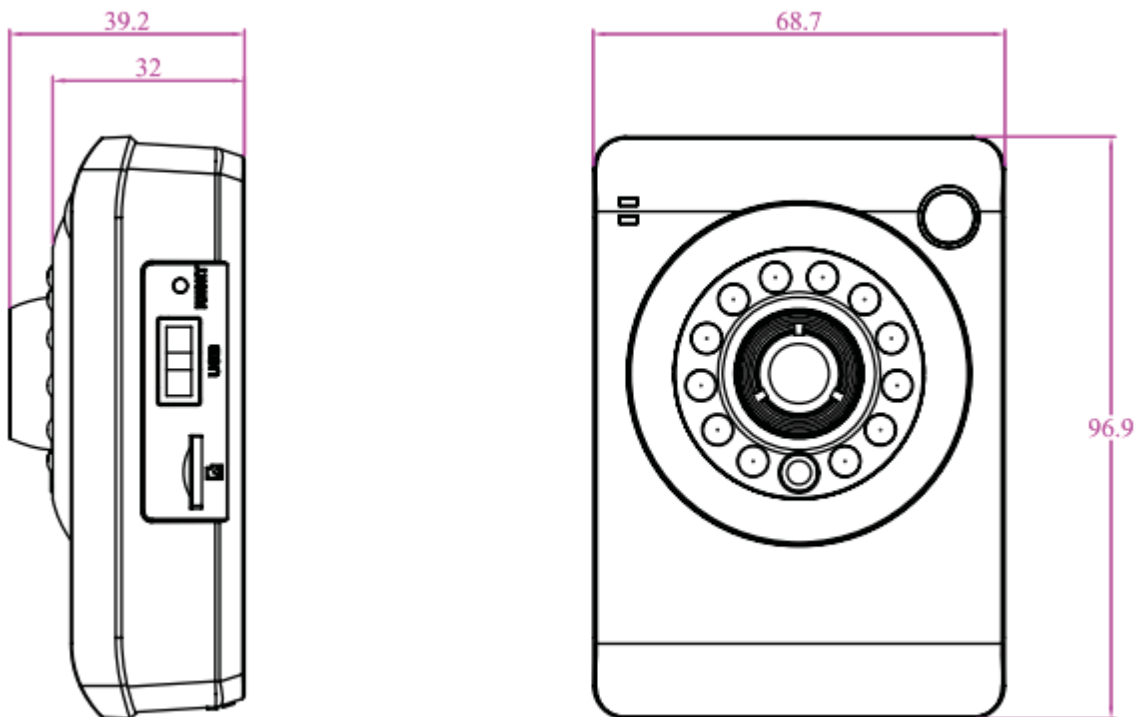
Technical Specifications

Model	DH-IPC-K6-I	
Camera		
Image Sensor	1/4" VGA CMOS	
Effective Pixels	640(H)x480(V)	
Scanning System	Progressive	
Electronic Shutter Speed	Auto/Manual 1/25~1/10000 Auto/Manual 1/30~1/10000	
Min. Illumination	Color: 0.2lux/F1.4, B/W:0.1Lux/F1.4, 0Lux(IR on)	
S/N Ratio	50dB	
Video Output	External	
Camera Features		
Max. IR Length	10m	
Day/Night	Auto(ICR) / Color / B/W	
White Balance	Auto	
Gain Control	Auto	
Noise Reduction	2D	
Privacy Masking	Up to 4 areas	
Lens		
Focal Length	4.3mm	
Max Aperture	F1.8	
Angle of View	H:52°	
Mount Type	Board-in Type	
Video		
Compression	H.264	
Resolution	VGA(640×480) / CIF(352×288 / 352×240) / QVGA(320×240) / QCIF(176×144 /176×128) / QQVGA(160×120)	
Frame Rate	Main Stream	VGA/CIF/QCIF/QVGA (1 ~ 25/30fps)
	Sub Stream	QCIF/QVGA/QQVGA (1 ~ 25/30fps)
Bit Rate	H.264: 32K ~ 3072Kbps	
Audio		
Compression	G.711a / G.711u (64kbps) / PCM(128kbps)	
Interface	External I/O cable	
Network		
Ethernet	RJ-45 (10/100Base-T)	
Protocol	IPv4/IPv6, HTTP, SSL, TCP/IP, UDP, UPnP, ICMP, IGMP, SNMP, RTSP, RTP, SMTP, NTP, DHCP, DNS, PPPOE, DDNS, FTP, IP Filter, QoS, Bonjour	
ONVIF	ONVIF Ver. 2.0	
Max. User Access	10 users	
Smart Phone	iPhone, iPad, Android, Windows Phone	
Auxiliary Interface		

DH-IPC-K6-I

Memory Slot	Micro SD, Max 32GB
PIR Sensor Range	Up to 5meters
Alarm	External wireless alarm box
General	
Power Supply	DC5V
Power Consumption	<3W
Working Environment	-10°C~+50°C, 10%~90%
Dimensions(W×D×H)	68.7mm×39mm×97mm
Weight	0.12kg (0.2kg with bracket)

Dimensions (mm)



<http://www.asi.ind.in>

Dahua Technology Co., Ltd.

1187 BinAn Road, Binjiang District, Hangzhou, China

Tel: +86-571-87688883

Fax: +86-571-87688815

Email: overseas@dahuatech.com

www.dahuatech.com

*Design and specifications are subject to change without notice.

© 2012 Dahua Technology Co., Ltd.