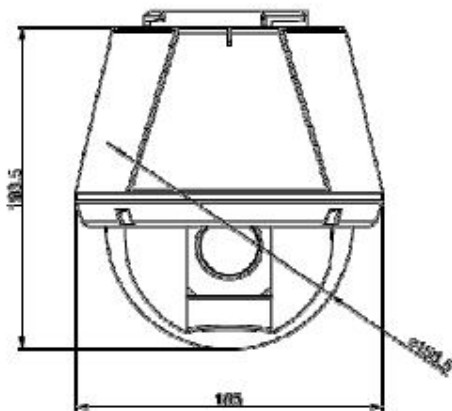


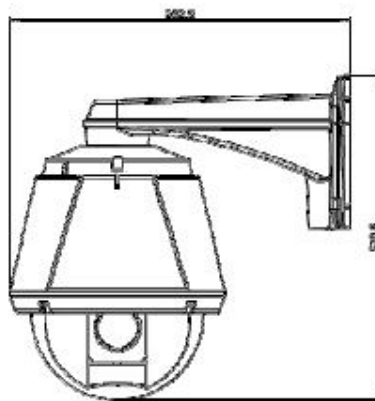
2.0Megapixel x10 Zoom Speed Dome

- 2.0 Megapixel 1/3" CMOS Image Sensor**
- 1920x1080 at 30fps**
- Dual Streaming (H.264/H.264, H.264/MJPEG)**
- 120x Zoom (10x Optical Zoom, 12x Digital Zoom)**
- True Day & Night (ICR)**
- Composite or HD-SDI Video Output**
- Vandal -Proof, IP67-rated Protection**

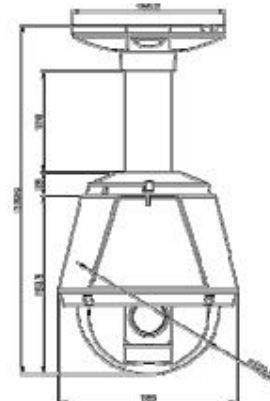
Fast& Smooth Motion with 360°Pan Rotation
Motion Detection
Two Way Audio Communication (G.711/AAC)
High Quality JPEG Image Capture Function
Adjustable Video Bit Rate : 32kbps ~ 8Mbps
Selectable Serial Data Bandwidth : 9600bps/19200 bps/ 38400 bps
2 CH. Sensor Input & Alarm Output
1 CH. Audio In/Out (Mono, Line-In/Out)
Various Protocols : TCP/IP, Multicast, UDP, HTTP, SMTP, FTP, DHCP,
DNS, Dynamic DNS, RTP, RTSP, SNMP
Full Technical Support with SDK & API

Dimension

<Main Body>



<Wall Mount Bracket>



<Ceiling Mount Bracket>

Specification

Section		Specification
Network	Network Interface	Ethernet 10/100Base-T (RJ-45)
	Network Protocol	TCP/IP,UDP, Multicast, DHCP,SMTP, HTTP, SNMP , RTP, RTSP
Camera	Image Sensor	2.0M 1/3" CMOS Image Sensor
	Focal Length	F1.8 ~ F2.1, f=5.1mm-51mm
	Zoom	x10 Optical Zoom and x12 Digital Zoom
	Focus Position	∞ ~ 1cm
	Angle of View	Horizontal : 50(Wide) ~ 5.4(Tele)
	Minimum Illuminance	1.0 Lux (B/W), F1.8 with 50 IRE
	S/N Ratio	50 dB or more
	AE Mode	Auto, Manual, Bright, Shutter Priority, Iris Priority, Spot
	IRIS Control	Auto / Manual (F1.8 ~ F26, Close)
	Gain Control	Auto / Manual (-3 ~ 18dB)
	Shutter Control	Auto / Manual (1/2 ~ 1/10,000 sec)
	White Balance	Auto / Manual (Red, Blue Gain Adjustable)
	DSS Limit	1/60 ~ 1/2 or 1/50 ~ 1/2
	Day & Night	Auto / Day / Night (ICR)
	BLC	Auto / Manual
Aperture Control	16 steps	
Pan/Tilt	Range	Pan : 360°(Endless)/ Tilt: 90° Preset : 360°/sec
	Pan/Tilt Speed	Manual : 0.05° ~ 360°/sec (Zoom Proportional)
		Swing : 1.4° ~ 180° /sec
	Preset	128 Presets
	Pattern	4 Patterns (Approx. 5 Minutes for Each Pattern)
	Swing	8 Swings
	Group	8Groups (MAX. 20 Entries for Each Group)
	Other Functions	Auto Flip, Auto Parking, Power-up Action & etc
Video	Standards	Main Stream: H.264 Secondary Stream: H.264/MJPEG
	Output	1 x Composite (BNC type) or 1 x HD-SDI (BNC type) (Choose one option)
	Resolution	1920x1080 ~ 352x240, 18 resolution steps
	Max Frame Rate	H.264/MJPEG: 30fps @ all resolutions
	Bitrate	32Kbps ~ 8Mbps
Audio	Algorithm	G.711/AAC
	Input	1 x Line-In (Mini-stereo, Single Mono)
	Output	1 x Line-Out (Mini-stereo, Single Mono)
	Sample Rate	G.711: 8KHz, AAC: 32KHz
	Bitrate	G.711: 64Kbps, AAC: 64Kbps, 128Kbps, 196Kbps
Serial Port	Port	RS-485 for PTZ control
	Protocol	Pelco-D, Pelco-P
Sensor/Alarm/etc	Sensor Input	2 x Photo-Coupler Input
	Alarm Output	2 x Relay Output (Normal Open)
	Reset Button	Factory Reset Button
Software	True NVR/CMS	Live Monitoring, Recording, Search & Playback, Backup
Physical	Mount Bracket	Wall Mount or Ceiling Mount (Option)
	Dimension	Dome : Ø 150mm/ Ø 5.9"
		Housing : 185(Ø)x 193.5(H)mm / 7.3"(Ø)x 7.6"(H)
	Weight	Approx. 3.8Kg/ 8.4Lbs (Wall) Approx. 3.2kg / 7.0Lbs (Ceiling)
	Material	Dome : Poly Carbonate / Housing : Aluminum
	Power Source	DC 12V/3A
	Power Consumption	Max 36W
	Waterproof	IP 67
Fan	Always ON	
Operating Temp.	-30°C ~ 60°C / -34°F ~ 140°F	

Specification and design are subject to change without prior notice

www.markglobal.in