

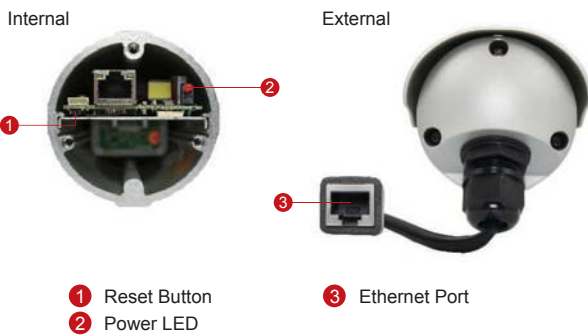
# E32

## 3MP Bullet with D/N, IR, Basic WDR, Fixed lens

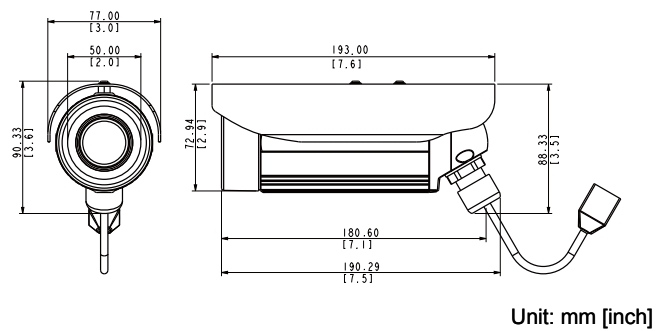


- Progressive Scan CMOS
- Day and night function with mechanical IR cut filter
- Minimum illumination 0 lux with IR LED on
- Built-in f4.2 mm / F1.8 Megapixel fixed lens
- 15 fps at 2048 x 1536 resolution
- Selectable H.264 HP, MJPEG compressions with dual streaming
- Video motion detection
- Basic WDR
- Weatherproof IP66 rated casing
- Powered by PoE Class 2

### PHOTO INDICATION



### DIMENSION DIAGRAM



### ACCESSORY OPTIONS

Camera Bracket		
PMAX-1103		Aluminum, max. load 10 kg (22.05 lb), tilt angle 90°, swivel angle 360°

Popular Mounting Solutions		
Corner	PMAX-1103 PMAX-0402	
Pole	PMAX-1103 PMAX-0502	

\* For more mounting solutions, please refer to Mounting Accessory section of Buyer's Guide or Project Planner on [www.acti.com](http://www.acti.com)

## PRODUCT SPECIFICATION

### E32

#### • Device

Device Type	Bullet Camera
Image Sensor	Progressive Scan CMOS
Day / Night	Yes
Minimum Illumination	Color: 0.1 lux at F1.8 (30 IRE, 2400°K); B/W: 0 lux (IR LED on)
Color to B/W switch	ISP based switch; Configurable
Mechanical IR Cut Filter	Yes
IR Sensitivity Range	700 - 1100 nm
IR LED	IR LED x 20 (850 nm)
IR Working Distance	15 m (0 lux, 30 IRE, Max Exposure Gain)
Electronic Shutter	1/5 ~ 1/2,000 sec (manual mode); 1/5 ~ 1/10,000 sec (auto mode)

#### • Lens

Focal Length / Aperture	Fixed focal, f4.2mm / F1.8
Iris	Fixed iris
Focus	Fixed Focus
Lens Mount	Board Mount
Horizontal Viewing Angle	64.1°

#### • Video

Compression	H.264 HP, MJPEG
Maximum Frame Rate vs. Resolution	15 fps at 2048 x 1536; 30 fps at 1920 x 1080 (Full HD 1080p); 30 fps at 1280 x 720 (HD 720p); 30 fps at 640 x 480 (VGA)
Multi-Streaming	Simultaneous dual streams based on two configurations
Bit Rate	28 Kbps - 6 Mbps (per stream)
Bit Rate Mode	Constant, Variable
Image Enhancement	Basic WDR; White balance: automatic, hold, and manual; Brightness; Contrast; Sharpness(auto); Auto gain control; Digital noise reduction; Flickerless
Privacy Mask	4 configurable regions
Text Overlay	User defined text on video
Image Orientation	Image flip and mirror

#### • Network

Protocol & Service	TCP, UDP, HTTP, HTTPS, DHCP, PPPoE, RTP, RTSP, IPv6, DNS, DDNS, NTP, ICMP, ARP, IGMP, SMTP, FTP, UPnP, SNMP, Bonjour
Ethernet Port	1, Ethernet (10/100 Base-T), RJ-45 connector
Security	IP address filtering; HTTPS encryption; Password protected user levels; IEEE 802.1X network access control

#### • Alarm

Alarm Trigger	Video motion detection (3 regions)
Alarm Response	Notify control center; Change camera settings; Command other devices; E-mail notification with snapshots; Upload video, snapshot to FTP server

#### • General

Power Source / Consumption	PoE Class 2 (IEEE802.3af) / 6.29 W (IR on)
Weight	584 g (1.29 lb)
Dimensions (Ø x L)	77 mm x 196.74 mm (3.04" x 7.7")
Bundled Accessories	Bracket
Environmental Casing	Weatherproof (IP66 rated)
Mount Type	Wall, Ceiling, Corner, Pole
Operating Temperature	-20 °C ~ 50 °C (-4 °F ~ 122 °F)
Operating Humidity	10% ~ 85% RH
Approvals	CE (EN 55022 Class B, EN 55024), FCC (Part15 Subpart B Class B), IP66

#### • Integration

Unified Solution	Fully compatible with ACTi software
ISV Integration	Software Development Kit (SDK) available; ONVIF compliant
Firmware Access Browser	Microsoft Internet Explorer 8.0 or newer (full functionality); Other browsers with VLC installed (partial functionality)