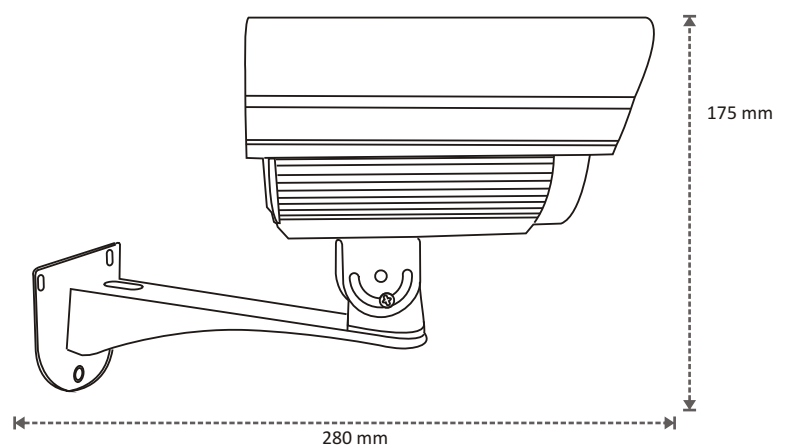


**AA-4547P-FSR4  
IR Bullet Camera**

**Superior Engineering Design & Sensational Image Quality**

**AA-4547P-FSR4  
IR Bullet Camera****Features :**

- Outdoor IR Bullet CCTV Camera
- 1/3" Sony Super HAD II CCD
- Super 450TV Lines Resolution
- High Intensity 48pcs IR LED Night Vision up to 30M
- 0 Lux Image Capturing at IR ON
- 8MM M12 IR Corrected Lens  
(Optional 6.0/12.0MM)
- BLC, AES Auto Enabled
- Gain Control Auto Enabled
- ATW Auto Enabled
- IP66 Housing with Wall Mount Bracket
- Supports 12V DC  $\pm$  10% Power range with Low Power Consumption

**Dimension :**

## Specifications :

Model	AA-4547P-FSR4	AA-4547N-FSR4
Signal System	PAL	NTSC
CCD Type	1/3" Sony Super HAD II CCD	
Scanning Frequency	PAL - H : 15.625 KHz V : 50 Hz	NTSC - H : 15.734 KHz V : 60 Hz
Effective Pixels	PAL -500(H) * 582(V)	NTSC - 510(H) * 494(V)
Horizontal Line Resolution	450 TVL	
Scanning Type	2:1 Interlace	
S/N Ratio	more than 48dB	
Electronic Shutter	AES:1/50s-1/100,000s	AES: 1/60s-1/100,000s
Lens Type	8MM M12 Lens	
Lux Level(illumination)	0.05 Lux @ F 1.2 , 0 Lux with IR LED ON	
IR LED	48Pcs IRLED, 0.5ø	
IR Wave Length	850~880nm Infrared	
IR Vision	30M	
Gamma characteristics	0.45 Default	
Gain Control	Auto Adjusted according to Lux Level(15dB to 30dB)	
White Balance	ATW	
Back Light Compensation	Auto	
Synchronous System	Internal Synchronization	
Video output	1.0Vp-p,75Ω, BNC Cable Connector	
Power Supply	DC 12V ± 10%, DC Cable Connector	
Power Consumption	<450mA @ 12VDC	
Operating Temperature	-10°C ~ + 50°C	
IP Protection	IP66	
Dimensions(WxDxH)	280mm (L) x 92(W)mm x 175mm(H)	
Weight (g)	640 g	
Enclosure	Power Coated Metal with Wall Mount Bracket	

\* Product specifications and appearance may be changed without prior notice due to improvements.



Scan with your  
Smart phone for  
more information

**AVTRON**

<http://www.asi.ind.in>