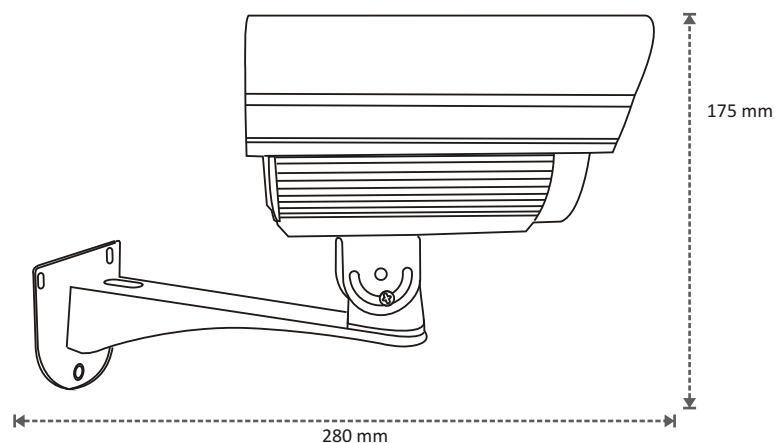


**AA-6047P-FSR4
IR Bullet Camera****Superior Engineering Design & Sensational Image Quality****AA-6047P-FSR4
IR Bullet Camera****Features :**

- Outdoor IR Bullet CCTV Camera
- 1/3" Prop. Image Sensor
- High 600TV Lines Resolution
- High Intensity 48pcs IR LED Night Vision up to 30M
- 0 Lux Image Capturing at IR ON
- 8MM M12 IR Corrected Lens
(Optional 6.0/12.0MM)
- BLC, AES Auto Enabled
- Gain Control Auto Enabled
- ATW Auto Enabled
- IP66 Housing with Wall Mount Bracket
- Supports 12V DC \pm 10% Power range with Low Power Consumption

**Dimension :**

Specifications :

| | | |
|----------------------------|--|---------------------------------|
| Model | AA-6047P-FSR4 | AA-6047N-FSR4 |
| Signal System | PAL | NTSC |
| CCD Type | 1/3" Prop. Image Sensor | |
| Scanning Frequency | PAL - H : 15.625 KHz V : 50 Hz | NTSC - H : 15.734 KHz V : 60 Hz |
| Effective Pixels | PAL -752(H) * 582(V) | NTSC - 768(H) * 494(V) |
| Horizontal Line Resolution | 600 TVL | |
| Scanning Type | 2:1 Interlace | |
| S/N Ratio | more than 65dB | |
| Electronic Shutter | AES:1/50s-1/100,000s | AES: 1/60s-1/100,000s |
| Lens Type | 8MM M12 Lens | |
| Lux Level(illumination) | 0.05 Lux @ F 1.2 , 0 Lux with IR LED ON | |
| IR LED | 48Pcs IRLED, 0.5ø | |
| IR Wave Length | 850~880nm Infrared | |
| IR Vision | 30M | |
| Gamma characteristics | 0.45 Default | |
| Gain Control | Auto Adjusted according to Lux Level(15dB to 30dB) | |
| White Balance | ATW | |
| Back Light Compensation | Auto | |
| Synchronous System | Internal Synchronization | |
| Video output | 1.0Vp-p,75Ω, BNC Cable Connector | |
| Power Supply | DC 12V ± 10%, DC Cable Connector | |
| Power Consumption | <450mA @ 12VDC | |
| Operating Temperature | -10°C ~ + 50°C | |
| IP Protection | IP66 | |
| Dimensions(WxDxH) | 280mm (L) x 92(W)mm x 175mm(H) | |
| Weight (g) | 640 g | |
| Enclosure | Power Coated Metal with Wall Mount Bracket | |

* Product specifications and appearance may be changed without prior notice due to improvements.



Scan with your
Smart phone for
more information

AVTRON

<http://www.asi.ind.in>