

## Superior Engineering Design & Sensational Image Quality

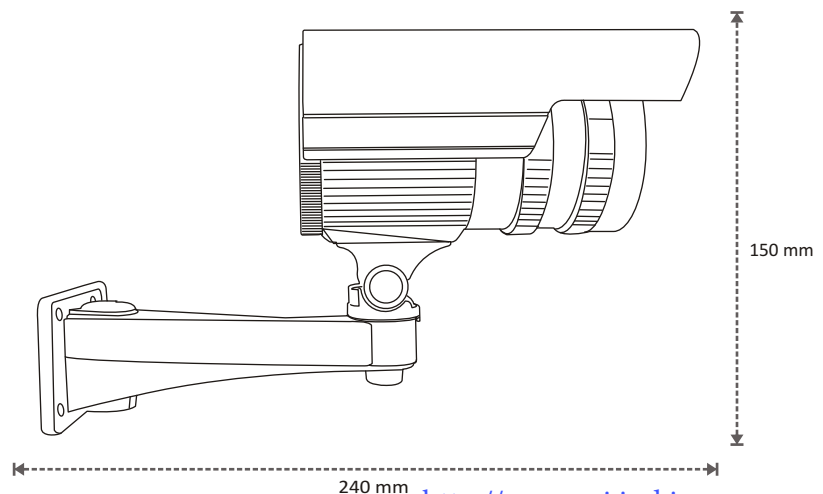
### AA-6049P-VSR7 IR Bullet Camera

#### Features :

- Outdoor IR Bullet CCTV Camera
- 1/3" prop. Image Sensor
- Super 600TV Lines Resolution
- High Intensity 72pcs IR LED Night Vision up to 45M
- 0 Lux Image Capturing at IR ON
- 2.8 - 12MM Auto IRIS Very Focal IR Corrected Lens
- BLC, AES Auto Enabled
- Gain Control Auto Enabled
- ATW Auto Enabled
- IP66 Housing with Cable Managed Wall Mount Bracket
- Supports 12V DC  $\pm$  10% Power range with Low Power Consumption



#### Dimension :



## Specifications :

|                            |  |                                 |
|----------------------------|--|---------------------------------|
| Model                      | AA-6049P-VSR7  | AA-6049N-VSR7                   |
| Signal System              | PAL  | NTSC                            |
| CCD Type                   | 1/3" Prop. Image Sensor                                  |                                 |
| Scanning Frequency         | PAL - H : 15.625 KHz V : 50 Hz                           | NTSC - H : 15.734 KHz V : 60 Hz |
| Effective Pixels           | PAL -752(H) * 582(V)                                     | NTSC - 768(H) * 494(V)          |
| Horizontal Line Resolution | 600 TVL  |                                 |
| Scanning Type              | 2:1 Interlace  |                                 |
| S/N Ratio                  | more than 65dB   |                                 |
| Electronic Shutter         | AES:1/50s-1/100,000s                                     | AES: 1/60s-1/100,000s           |
| Lens Type                  | 2.8 - 12MM Auto IRIS Very Focal Lens                     |                                 |
| Lux Level(illumination)    | 0.05 Lux @ F 1.2 , 0 Lux with IR LED ON                  |                                 |
| IR LED                     | 72Pcs IRLED, 0.5ø  |                                 |
| IR Wave Length             | 850~880nm Infrared                                       |                                 |
| IR Vision                  | 45 M   |                                 |
| Gamma characteristics      | 0.45 Default   |                                 |
| Gain Control               | Auto Adjusted according to Lux Level(15dB to 30dB)       |                                 |
| White Balance              | ATW  |                                 |
| Back Light Compensation    | Auto   |                                 |
| Synchronous System         | Internal Synchronization                                 |                                 |
| Video output               | 1.0Vp-p,75Ω, BNC Cable Connector                         |                                 |
| Power Supply               | DC 12V ± 10%, DC Cable Connector                         |                                 |
| Power Consumption          | < 700mA @ 12VDC  |                                 |
| Operating Temperature      | -10°C ~ + 50°C   |                                 |
| IP Protection              | Ip66   |                                 |
| Dimensions(WxDxH)          | 240mm (L) x 95(W)mm x 150mm(H)                           |                                 |
| Weight (g)                 | 944 g  |                                 |
| Enclosure                  | Power Coated Metal with Wall Mount Cable Managed Bracket |                                 |

\* Product specifications and appearance may be changed without prior notice due to improvements.



Scan with your  
Smart phone for  
more information

**AVTRON**

<http://www.asi.ind.in>