

VAVTRON

ATOM 600 TVL

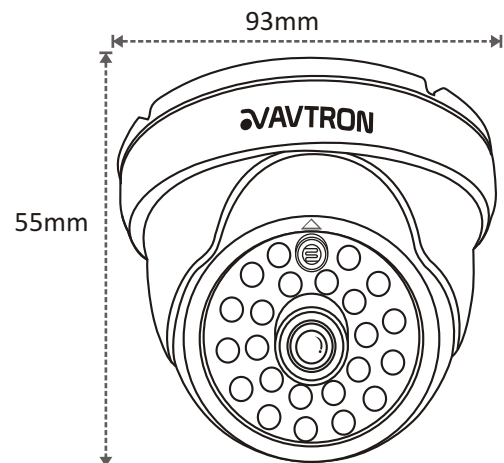
AA-6033P-FSR2
IR Dome Camera

Superior Engineering Design & Sensational Image Quality

AA-6033P-FSR2 **IR Dome Camera**

Features :

- Indoor IR Dome CCTV Camera
- 1/3" Prop. Image Sensor
- High 600TV Lines Resolution
- High Intensity 24pcs IR LED Night Vision up to 20M
- 0 Lux Image Capturing at IR ON
- 3.6MM M12 IR Corrected Lens (Optional 6.0 MM)
- BLC, AES Auto Enabled
- Gain Control Auto Enabled
- ATW Auto Enabled
- Free Rotation Indoor Plastic Housing
- Supports 12V DC \pm 10% Power range with Low Power Consumption



<http://www.asi.ind.in>

Specifications :

Model	AA-6033P-FSR2	AA-6033N-FSR2
Signal System	PAL	NTSC
CCD Type	1/3" Prop. Image Sensor	
Scanning Frequency	PAL - H : 15.625 KHz V : 50 Hz	NTSC - H : 15.734 KHz V : 60 Hz
Effective Pixels	PAL -752(H) * 582(V)	NTSC - 768(H) * 494(V)
Horizontal Line Resolution	600TVL	
Scanning Type	2:1 Interlace	
S/N Ratio	more than 65dB	
Electronic Shutter	AES:1/50s-1/100,000s	AES: 1/60s-1/100,000s
Lens Type	3.6MM M12 Lens	
Lux Level(illumination)	0.5 Lux @ F 1.2 , 0 Lux with IR LED ON	
IR LED	24Pcs IRLED, 0.5ø	
IR Wave Length	850~880nm Infrared	
IR Vision	20M	
Gamma characteristics	0.45 Default	
Gain Control	Auto Adjusted according to Lux Level(15dB to 30dB)	
White Balance	ATW	
Back Light Compensation	Auto	
Synchronous System	Internal Synchronization	
Video output	1.0Vp-p,75Ω, BNC Cable Connector	
Power Supply	DC 12V ± 10%, DC Cable Connector	
Power Consumption	<260mA @ 12VDC	
Operating Temperature	-10°C ~ + 50°C	
Dimensions(WxDxH)	93mm (W) x 55mm (H)	
Weight (g)	158 g	
Enclosure	Plastic Dome Housing	

* Product specifications and appearance may be changed without prior notice due to improvements.



Scan with your
Smart phone for
more information

AVTRON

<http://www.asi.ind.in>