



**MONARCH 540 TVL**

**AM-N546-VMR1**

**3 Axis Day/Night IR  
Varifocal Dome Camera**



**Superior Engineering Design & Sensational Image Quality**

## **AM-N546-VMR1**

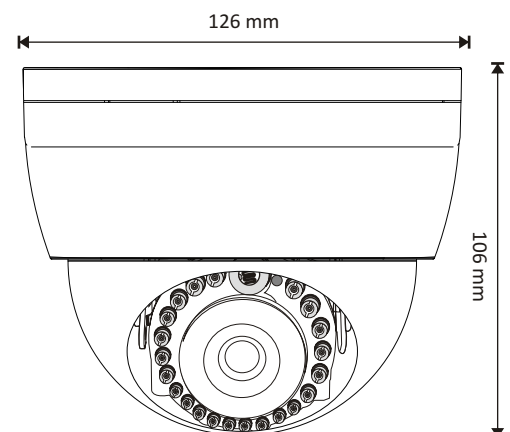
### **3 Axis Day/Night IR Varifocal Dome Camera**

#### **Features :**

- 1/3" Sony Super HAD II Image Sensor
- Super High 540TVL at Color, 570TVL at B/W
- True & Soft Day/Night for all 24/7 Surveillance mode
- Support Customization Area for BLC
- High Intensity 18IR LED Night Vision up to 15 to 18M
- Vari Focal 2.8 to 10MM Auto Iris Lens With ICR
- Low Illumination 0.15Lux with noise free image
- programmable Shutter & Exposure Mode Auto, Flicker, Manual
- OSD Menu Control for easy & user friendly Customer Ease
- Motion Detection, Privacy Masking, Camera ID
- Support 12VDC/24VAC Power



#### **Dimension :**



## Specifications :

|                              |  |                          |
|------------------------------|--|--------------------------|
| Model                        | AM-N546P-VMR1  | AM-N546N-VMR1            |
| Signal System                | PAL  | NTSC                     |
| CCD Type                     | 1/3" Super HAD II IS                                 |                          |
| Effective Pixels             | 752(H) x 582(V)                                      | 768(H) x 494(V)          |
| Scanning Frequency           | H : 15.625 KHz V : 50 Hz                             | H : 15.734 KHz V : 60 Hz |
| Horizontal TVLine Resolution | More Than 540TVL                                     |                          |
| Day/Night                    | Color / B&W / Auto                                   |                          |
| Lux Level(illumination)      | 0.15Lux at 40 IRE @ F1.2 @ Color , 0 Lux @ IR LED ON |                          |
| IR LED                       | 18pcs 0.5mm  |                          |
| IR Wave Length               | 850~880nm Infrared                                   |                          |
| IR Distance                  | up to 15 ~ 18Meter                                   |                          |
| Gamma                        | Auto/ Adjustable 0 to 1.0(Default 0.45)              |                          |
| Gain Control(AGC)            | On / Off   |                          |
| White Balance                | ATW / AWB / FIXED / MANUAL                           |                          |
| Light Compensation           | BLC ON / OFF with 64 Adjustable Zones                |                          |
| Lens                         | 2.8 to 10MM DC Auto IRIS Vari Focal with ICR         |                          |
| Camera ID Name               | On/Off   |                          |
| Privacy Masking              | Up to 4 Adjustable Zones                             |                          |
| OSD Menu Control             | Yes  |                          |
| Motion Detection             | On/Off Selectable, up to 64 Adjustable Zones         |                          |
| Mirror Control               | Yes  |                          |
| Image Control                | Brightness, Contrast, Sharpness, Red Gain, Blue Gain |                          |

## Specifications :

|                       |  |
|-----------------------|--|
| S/N Ratio             | 50dB @ AGC Off   |
| Shutter Speed Control | AUTO(1/50s, 1/60s-1/120,000s) / FIXED / FLK / Manual     |
| Synchronous System    | Internal/Line Lock Selectable                            |
| Video output          | 1.0Vp-p,75Ω, BNC   |
| Power Supply          | DC 12V ± 10% / AC 24V , DC Cable Connector               |
| Power Consumption     | <130mA @ 12VDC, 180mA @ 24VAC                            |
| Operating Temperature | -10°C ~ + 50°C   |
| Operating Humidity    | 30% ~ 90% RH   |
| Dimensions(W×D×H)     | 126mm (W) x 126mm (D) x 106mm (H)                        |
| Weight (g)            | 340g   |
| Enclosure             | 3 Axis Bracket, ABS Plastic with illustration Dome Cover |

\* Product specifications and appearance may be changed without prior notice due to improvements.



Scan with your  
Smart phone for  
more information

**AVTRON**

<http://www.asi.ind.in>