

DH-CA-FW171D

600TVL Waterproof IR Camera



Model

DH-CA-FW171DP: 600TVL, IR LED, IP66, PAL

DH-CA-FW171DN: 600TVL, IR LED, IP66, NTSC

Features

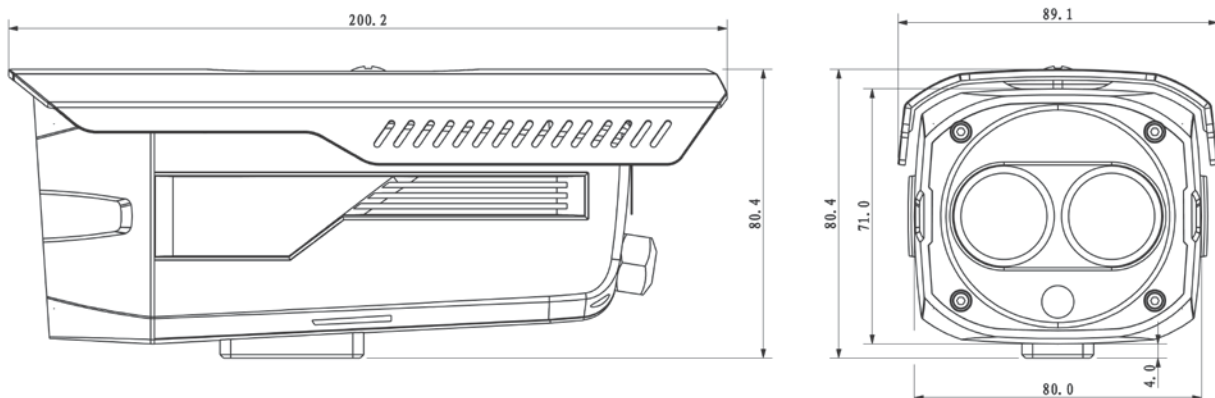
- > 1/3" HDIS
- > High resolution of 600TVL(Color)
- > Mini. Illumination of 0.1Lux@F1.2, 0Lux(IR On)
- > AGC, ATW, BLC
- > Optional Lens: default: 6mm (3.6mm, 8mm optional)
- > Max. IR distance is 50m
- > IP66, DC12V

DH-CA-FW171D

Specifications

Model	DH-CA-FW171DP	DH-CA-FW171DN
Camera		
Image Sensor	1/3" HDIS	
Video Format	PAL	NTSC
Effective Pixels	720(H)×480(V)	
Horizontal Resolution	Color: 600TVL	
Mini. Illumination	0.1Lux@F1.2(0Lux IR LED on)	
Electronic Shutter	Auto: 1/50s~1/100,000s	Auto: 1/60s~1/100,000s
AGC	Auto	
Day/Night	Auto	
White Balance	ATW	
Backlight	BLC	
Synchronization	Internal	
S/N Ratio	>60dB(AGC Off)	
Video Output	1Vp-p Composite Output (75Ω/BNC)	
Lens		
Focal Length	Default: 6mm (3.6mm, 8mm optional)	
Lens Type	Manual	
General		
Ingress Protection	IP 66	
IR Distance	Max. 50m	
Power Supply	DC12V±10%	
Power Consumption	Max 6W	
Working Temperature	-40°C~+60°C	
Dimension	200.2mm x 89.1mm x 80.4mm	
Weight	450g	

Dimensions (mm)



DH-CA-FW171D

Dahua Technology Co., Ltd.

1187 BinAn Road, Binjiang District, Hangzhou, China

Tel: +86-571-87688883

Fax: +86-571-87688815

Email: overseas@dahuatech.com

www.dahuatech.com

*Design and specifications are subject to change without notice.

© 2012 Dahua Technology Co., Ltd.