

HD30

STANDARD RESOLUTION FIXED LENS DAY/NIGHT IR RUGGED INDOOR/OUTDOOR BALL CAMERA

The Performance Series rounds out Honeywell's camera portfolio of a variety of indoor, outdoor and low-light cameras that lets end users pick the perfect camera for virtually any installation. Ideal for a diverse range of applications, the Performance Series includes a wide range of high performing IR bullet cameras, ball cameras, and minidomes that are easy to install and even easier to use.

Honeywell's HD30 day/night fixed indoor ball camera integrates a camera and lens into a single piece, tamper proof, compact unit designed to be surface mounted for fast and easy installation. The HD30 is a fixed lens ball camera that automatically switches from color to black-and-white mode depending upon available light. The housing is designed to easily mount directly to a ceiling or wall.

The HD30 incorporates a 1/3" CCD interline transfer image sensor that offers 420 TV lines of crisp, clear horizontal resolution with a minimum illumination of 0 lux with IR illumination provided by 21 IR LEDs. The camera comes equipped with a 3.6 mm fixed lens to cover a wide range of viewing angles, and picture adjustment during installation is easy with the 3D axis movement for easy lens rotation.

The Backlight Compensation (BLC) and Auto White Balance ensure crisp color images in dark or backlit environments such as windows and doorways.

Market Opportunities

The HD30 fixed lens ball camera is designed for cost-effective installations that require the highest image quality possible, where light conditions are less than optimal. It is ideal in commercial or residential sites, daycare centers, retail stores or hospitals — anywhere surveillance must be discreet.

Features

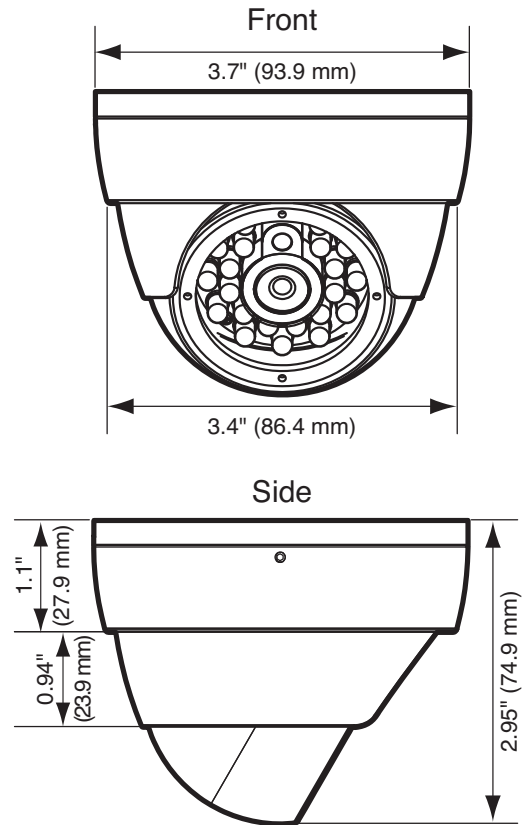
- 1/3" interline transfer CCD
- Standard resolution color: 420 TV lines
- 21 IR LEDs provide up to 20 ft. (6 m) of illumination, depending on scene reflectance
- 3.6 mm fixed lens, F1.6
- Day/night function
- Die cast aluminum housing; polycarbonate front window
- 3D axis rotation
- 4 W maximum power consumption
- Backlight compensation
- Auto white balance
- 12 V DC input



SPECIFICATIONS

Operational	
Video Standard	NTSC
Scanning System	2:1 interlaced
Image Sensor	1/3" Interline Transfer CCD
Number of Pixels (H x V)	510 x 492
Minimum Illumination	0 lux (IR LEDs on)
Horizontal Resolution	420 TVL
Video Output	1.0 Vp-p, composite @ 75 ohms
Sync System	12 V DC: Internal
S/N Ratio	> 48 dB
Automatic Electronic Shutter	1/60 – 1/100,000 s
White Balance	Auto
BLC	Auto
Lens Type	3.6 mm fixed, F1.6
IR LEDs	850 nm, 21 LEDs
IR Illumination Distance	Up to 20 ft. (6 m), depending on scene reflectance
Angle of View	H: 74.2° V: 55.8°
Electrical	
Input Voltage	12 V DC ± 10%
Power Consumption	4 W (max)
Mechanical	
Dimensions (W x H)	3.7" (93.9 mm) x 2.95" (74.9 mm)
Weight	1.1 lb. (0.5 kg)
Construction	Housing: Die cast aluminum Lens cover: Polycarbonate Finish: Matte texture, gray
Connectors	Video Output: BNC connector Power Input: 12 V DC plug
Environmental	
Temperature	Operating: 14°F to 122°F (-10°C to 50°C) Storage: -4°F to 140°F (-20°C to 60°C)
Relative Humidity	0% to 95% non-condensing
Rating	IP66
Recommended Accessories	
Power Supply	
HPT12DC500	12 V DC/500 mA Plug-in Regulated 2.1 mm Coaxial Plug UL Listed/CSA Certified
Regulatory	
Emissions	FCC, Part 15B, Class A
Immunity	EN50130-4

Dimensions



NOTE: Honeywell reserves the right, without notification, to make changes in product design or specifications.

Ordering	
HD30	Day/Night, Indoor/Outdoor IR Ball Camera, 1/3" CCD, 420 TVL, 3.6 mm Fixed Lens, 21 IR LEDs, 12 V DC, NTSC

Automation and Control Solutions

Honeywell Security Products Americas
2700 Blankenbaker Pkwy, Suite 150
Louisville, KY 40299
1.800.323.4576
www.honeywell.com

L/HD30D/D
October 2012
© 2012 Honeywell International Inc.