



SAMSUNG



WV

37x zoom, Capture every detail



High Resolution 37x PTZ Dome Camera

SCP-2370/2370TH

The SCP-2370 series PTZ dome cameras are able to capture quality images over expansive areas thanks to their respective 37x optical zoom Day/Night Lens. Embedded with Samsung's W-V DSP chipset, these cameras offer clear and vivid images with 600TVL resolution (color) at low light levels down to 0.2Lux. Available in both an indoor or outdoor housing for use in a wide variety of applications. The SCP 2370TH also includes the latest in Auto-Tracking technology developed by Samsung.

- High resolution of 600TV lines (Color), 700TV lines (B/W)
- Min. illumination 0.2Lux@F1.6 (Color), 0.02Lux (B/W)
- True Day/Night (ICR) in Powerful 37x zoom Lens
- Advanced Auto-tracking (SCP-2370TH)
- Outdoor models IP66, -58F to 122F
- Coax control (Pelco-C)
- Internal calendar/clock for scheduling functions

High Resolution 37x PTZ Dome Camera

SCP-2370/2370TH



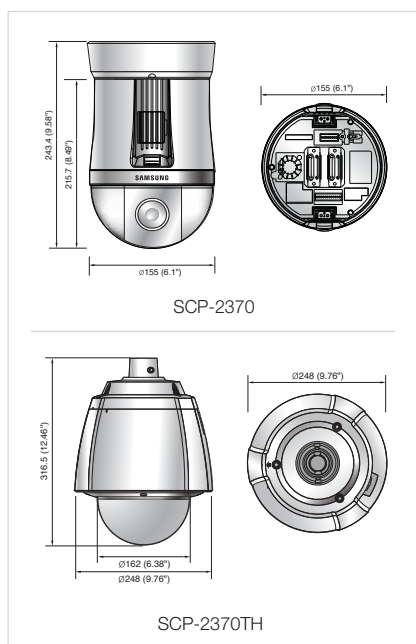
SCP-2370TH

SCP-2370

Specifications

Dimensions

Unit : mm (inch)



Accessories (Optional)



Controllers (optional)



	SCP-2370THN/2370N	SCP-2370THP/2370P
VIDEO		
Imaging Device	1/4" Ex-view HAD CCD	
Total Pixels	811(H) x 508(V)	795(H) x 596(V)
Effective Pixels	768(H) x 494(V)	752(H) x 582(V)
Scanning System	2 : 1 Interlace	
Synchronization	Internal / Line lock	
Frequency	H : 15.734KHz / V : 59.94Hz	H : 15.625KHz / V : 50Hz
Horizontal Resolution	Color : 600TV lines	
Min. Illumination	Color : 0.2Lux@F1.6 (50IRE), 0.001Lux (Sens-up, 512x) B/W : 0.02Lux@F1.6 (50IRE), 0.0001Lux (Sens-up, 512x)	
S / N Ratio	52dB (AGC off, Weight on)	
Video Output	CVBS : 1.0 Vp-p / 75Ω composite	
LENS		
Focal Length (Zoom Ratio)	3.5 ~ 129.5mm (Optical 37x)	
Max. Aperture Ratio	1 : 1.6(Wide) ~ 3.9(Tele)	
Angular Field of View	H : 55.5°(Wide) ~ 1.59°(Tele) / V : 42.5°(Wide) ~ 1.19°(Tele)	
Min. Object Distance	1.8m (5.91ft)	
Focus Control	Auto / Manual / One shot	
Zoom Movement Speed	2.8sec	
PAN / TILT		
Pan Speed / Range	Preset : 600°/s, Manual : 0.024°/s ~ 120°/s; 360° Endless	
Tilt Speed / Range	Preset : 600°/s, Manual : 0.024°/s ~ 120°/s; -5° ~ 185°	
No. Presets / Accuracy	255 / ±0.1°	
Auto Tracking	Yes (SCP-2370TH only)	
OPERATIONAL		
On Screen Display	English, Japanese, Spanish, French, Portuguese, Taiwanese, Korean	English, French, German, Spanish, Italian, Chinese, Russian, Polish, Czech, Turkish, Portuguese
Camera Title	Off / On (Displayed 12 characters)	
Day & Night	Auto (ICR) / External / Color / B/W	
Backlight Compensation	BLC / HLC / Off	
Contrast Enhancement	SSDR (Off / On)	
Digital Noise Reduction	SSNR III (Off / On)	
Digital Image Stabilization	Off / On	
Motion Detection	Built-in	
Privacy Masking	Off / On (8 programmable zones)	
Sens-up (Frame Integration)	2x ~ 512x	
Gain Control	Off / Low / Medium / High / Manual	
White Balance	ATW / Outdoor / Indoor / Manual / AWC (1,700K° ~ 11,000K°)	
Electronic Shutter Speed	1/60 ~ 1/120,000sec	1/50 ~ 1/120,000sec
Digital Zoom	Off / On (1x ~ 16x)	
Digital Flip	Off / On	
VPS	Off / On	
Intelligent Video	Off / Detection / Tracking / Fixed_Moved	
PIP	Off / On	
Schedule	Day / Time	
Alarm	8 In 3 Out	
Communication	Coaxial control, RS-485 Coax : Pelco-C (Coaxitron)	
Protocol	RS-485 : Samsung-T/E, Pelco-D/P, Panasonic, Bosch, Honeywell, Vicon, AD, GE	
ENVIRONMENTAL		
Operating Temperature / Humidity	-50°C ~ +50°C (-58°F ~ +122°F) / up to 100% RH : SCP-2370TH -10°C ~ +50°C (+14°F ~ +122°F) / 20% ~ 80% RH : SCP-2370	
Ingress Protection	IP66 : SCP-2370TH	
ELECTRICAL		
Input Voltage	24V AC ±10%	
Power Consumption	Max. 15W / 60W (Fan & heater on) : SCP-2370TH, Max. 15W : SCP-2370	
MECHANICAL		
Color / Material	Ivory / Aluminum, Plastic (Dome cover : Clear)	
Dimensions (WxH)	Ø248.0 x 316.5mm (Ø9.76" x 12.46") : SCP-2370TH Ø155.0 x 243.4mm (Ø6.1" x 9.58") : SCP-2370	
Weight	4.5kg (9.92 lb) : SCP-2370TH, 2Kg (4.41 lb) : SCP-2370	



SAMSUNG TECHWIN AMERICA Inc.
100 Challenger Road, Suite 700, Ridgfield Park, NJ 07660, UNITED STATES
Tel Free : 1-877-213-1222 Fax : 1-201-373-0124
www.samsungsecurityusa.com



The Eco mark represents Samsung Techwin's will to create environment-friendly products, and indicates that the product satisfies the EU RoHS Directive.
Design and specifications are subject to change without notice.

■ DISTRIBUTED BY



www.asi.ind.in