

DS-2CE16C5T-IT1/IT3

HD720P EXIR Low Light Bullet Camera

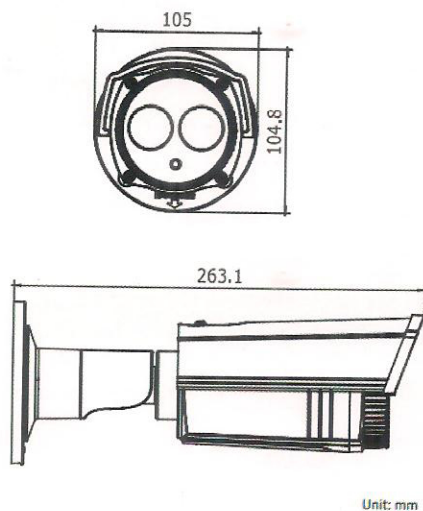


EXIR

Key features

- HD720P Video Output
- Adopt HDTV Technology
- True Day/Night
- OSD menu, 3D DNR, Smart IR
- EXIR technology, 20/40m IR distance
- IP66 weatherproof
- Low illumination
- Up the Coax(via coaxial cable)

Dimensions



Available model

- DS-2CE16C5T-IT1
- DS-2CE16C5T-IT3

	DS-2CE16C5T-IT1	DS-2CE16C5T-IT3
Camera		
Image Sensor	1 / 3 Progressive Scan CMOS	
Signal System	PAL / NTSC	
Effective Pixels	1305(H)*1049(V)	
Min. Illumination	0.001 Lux @(F1.2,AGC ON), 0 Lux with IR	
Shutter speed	PAL: 1 / 50 s to 1 / 50,000 s NTSC: 1 / 60 s to 1 / 50,000 s	
Lens	3.6mm (2.8mm, 6mm, 8mm optional)	3.6mm (2.8mm, 6mm, 8mm, 12mm, 16mm optional)
	Angle of View: 71.43°(3.6mm), 92.45°(2.8mm), 46.9°(6mm), 34.5°(8mm)	Angle of View: 71.43°(3.6mm), 92.45°(2.8mm), 46.9°(6mm), 34.5°(8mm), 22.81°(12mm), 17.2°(16mm)
Lens Mount	M12	
Day & Night	ICR	
Synchronization	Internal synchronization	
Video Frame Rate	720p@50fps / 720p@60fps	
HD Video Output	1 Analog HD output	
CVBS Output	1Vp-p Composite Output(75Ω / BNC)	
S / N Ratio	More than 62dB	
Menu		
Automatic Exposure	Globe AE / DWDR	
AGC	Low / Middle / High / Off	
Slow Shutter	Support	
White Balance	Auto / Manual	
D / N Mode	Color / BW / SMART IR	
3D DNR	Low / Middle / High / Off	
Motion Detection	Support, maximum 4 zones	
Privacy Mask	On / Off, maximum 8 zones	
UTC Function	Support	
Language	English / Chinese	
Function	Digital Wide Dynamic Range, 3D Digital Noise Reduction, Sharpness, Brightness, Digital Zoom, Mirror	
General		
Working Temperature / Humidity	-20 °C - 60 °C (-4 °F - 140 °F) Humidity 90% or less (non-condensing)	
Power Supply	12 VDC	
Power Consumption	Max. 3W	Max. 4.5W
Weather Proof Ratings	IP66	
IR Range	Up to 20m	Up to 40m
Communication	Up the coax(need UTC controller) Protocol: Pelco-C(Coaxitron)	
Dimensions	105x104.8x263.1mm(4.13"x4.13"x10.36")	
Weight	800 g (1.76 lb)	