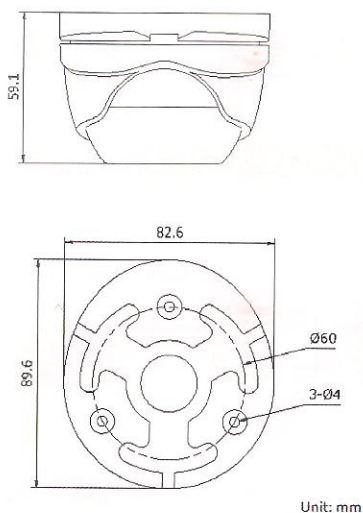


### Key features

- HD1080P Video Output
- Adopt HDTV Technology
- True Day/Night
- OSD menu, 3D DNR, Smart IR
- 20m IR distance
- IP66 weatherproof
- Up the Coax(via coaxial cable)

### Dimensions



### Accessories



Indoor / outdoor wall mount  
DS-1272ZJ-110-TRS

### Available model

DS-2CE56D5T-IRM

DS-2CE56D5T-IRM

DS-2CE56D5T-IRM	
<b>Camera</b>	
Image Sensor	1 / 3" Progressive Scan CMOS
Signal System	PAL / NTSC
Effective Pixels	1920(H)*1080(V)
Min. Illumination	0.01 Lux @(F1.2,AGC ON), 0 Lux with IR
Shutter Time	1 / 25(1 / 30) s to 1 / 50,000 s
Lens	3.6mm (2.8mm, 6mm optional) Angle of View: 80.9°(3.6mm), 103.5°(2.8mm), 54.3°(6mm)
Lens Mount	M12
Angle Adjustment	Pan: 0 - 360°, Tilt: 0 - 90°, Rotation: 0 - 360°
Day & Night	ICR
Synchronization	Internal synchronization
Video Frame Rate	1080p@25fps / 1080p@30fps
HD Video Output	1 Analog HD output
CVBS Output	1Vp-p Composite Output(75Ω / BNC)
S / N Ratio	More than 52dB
<b>Menu</b>	
Scene	Indoor, Outdoor, Indoor1, LOW-LIGHT
Camera ID	On / off (15 characters, position programmable)
AGC	Support
D / N Mode	Color / BW / EXT
White Balance	ATW, AWC-SET, Indoor, Outdoor, Manual
Privacy Mask	On / Off, maximum 8 zones
Motion Detection	On / Off, maximum 4 zones
BLC	Support
Anti-flicker	On / off
Language	English, Japanese, CHN1, CHN2, Korean, German, French, Italian, Spanish, Polish, Russian, Portuguese, Dutch, Turkish, Hebrew and Arabic
Functions	Eclipse, Digital noise reduction, Digital zoom(62x), Slow shutter, Mirror, Defog, Defect pixel correction, SMART D-ZOOM
<b>General</b>	
Working Temperature / Humidity	-20 °C - 60 °C (-4 °F - 140 °F) Humidity 90% or less (non-condensing)
Power Supply	12 VDC
Power Consumption	Max. 4W
Weather Proof Ratings	IP66
IR Range	Up to 20m
Communication	Up the coax(need UTC controller) Protocol: Pelco-C(Coaxitron)
Dimensions	89.6 × 59.1 mm (3.53" × 2.33")
Weight	400 g (0.88 lb)