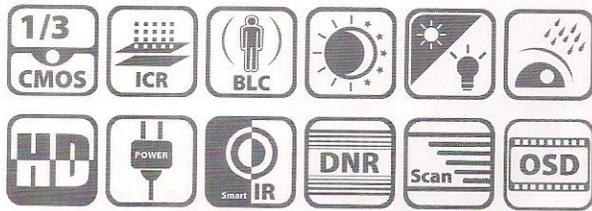


# DS-2CE56D5T-(A)VFIR

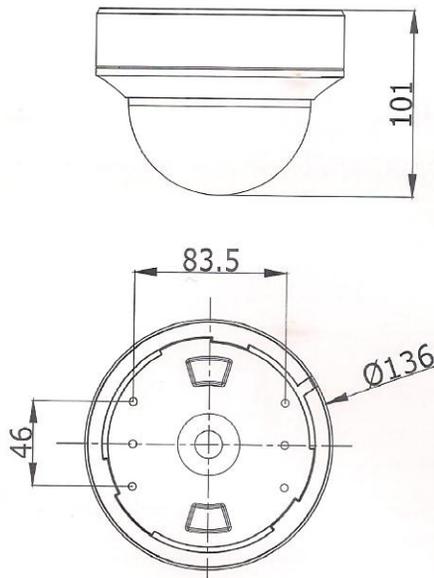
HD1080P Indoor Vari-focal IR Camera



## Key features

- HD1080P Video Output
- Adopt HDTVI Technology
- True Day/Night
- 2.8 - 12mm vari-focal lens
- OSD menu, 3D DNR, Smart IR
- Up to 30m IR distance
- Up the Coax(via coaxial cable)

## Dimensions



## Available model

DS-2CE56D5T-VFIR  
DS-2CE56D5T-AVFIR

DS-2CE56D5T-(A)VFIR	
<b>Camera</b>	
Image Sensor	1 / 3" Progressive Scan CMOS
Signal System	PAL / NTSC
Effective Pixels	1920(H)*1080(V)
Min. Illumination	0.01 Lux @ (F1.2,AGC ON),0 Lux with IR 0.014 Lux @ (F1.4,AGC ON),0 Lux with IR
Shutter speed	1/25(1/30) s to 1/50,000 s
Lens	2.8-12mm @ F1.4 Angle of view: 92° - 32°
Lens Mount	φ14
Angle Adjustment	Pan: 0 - 355°, Tilt: 0 - 180°, Rotation: 0 - 355°
Day & Night	ICR
Synchronization	Internal synchronization
Video Frame Rate	1080p@25fps/1080p@30fps
HD Video Output	1 Analog HD output
CVBS Output	1Vp-p Composite Output(75Ω / BNC)
S / N Ratio	More than 52dB
<b>Menu</b>	
Scene	Indoor, Outdoor, Indoor1, LOW-LIGHT
Camera ID	On/off (15 characters, position programmable)
AGC	Support
D/N Mode	Color/BW/EXT
White Balance	ATW, AWC-SET, Indoor, Outdoor, Manual
Privacy Mask	On/Off, maximum 8 zones
Motion Detection	On/Off, maximum 4 zones
BLC	Support
Anti-flicker	On/off
Language	English, Japanese, CHN1, CHN2, Korean, German, French, Italian, Spanish, Polish, Russian, Portuguese, Dutch, Turkish, Hebrew and Arabic
Function	Eclipse, Digital noise reduction, Digital zoom(62x), Slow shutter, Mirror, Defog, Defect pixel correction, SMART D-ZOOM
<b>General</b>	
Working Temperature / Humidity	-20 °C - 60 °C (-4 °F - 140 °F) Humidity 90% or less (non-condensing)
Power Supply	12 VDC ; -A: 12 VDC, 24 VAC
Power Consumption	12 VDC: Max. 4.5W ; 24 VAC: Max. 6.5W
IR Range	Up to 30m
Communication	Up the coax(need UTC controller) Protocol: Pelco-C(Coaxitron)
Dimensions	Φ 136 × 101 mm (Φ 5.35" × 3.98")
Weight	380 g (0.84 lb)