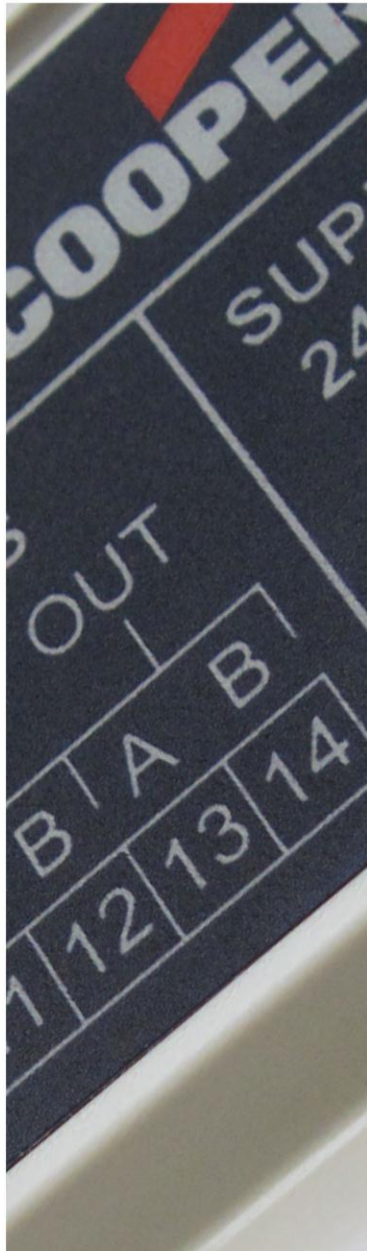


EC200 Dual-Channel LonWorks BMS Interface



EC200 - Dual-Channel LonWorks BMS Interface

Overview

The control panels on a Cooper fire network communicate using pre-configured network variables and cannot normally be used with a BMS where binding is required.

The (EC200) dual-channel LonWorks BMS interface is an "add-on" to the network which translates the pre-configured network variables to a set of un-configured network variables which can then be bound to a BMS, giving full access to the fire network data.

The gateway has 2 channels:

Channel 1 - connects to the Cooper fire network
Channel 2 - connects to the BMS

Features

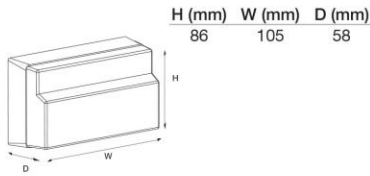
- Allows a Cooper fire network to be controlled by a LonWorks enabled BMS
- Uses Echelon FT5000 smart transceivers for high noise immunity
- 32 message input buffer

Benefits

- Compact DIN rail mounting enclosure
- Fully compatible with Cooper fire network (no need for binding)
- Open protocol to 3rd party BMS system

Dual-Channel LonWorks BMS Interface - EC200

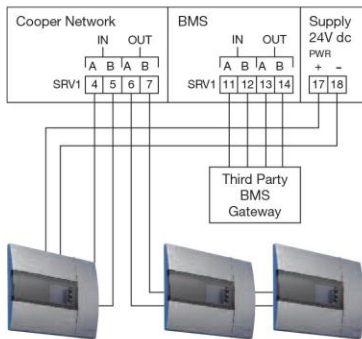
Dimensions



Technical Specification

Code	EC200
Description	Dual-Channel LonWorks BMS Interface
Standards	CE / UL compliant
Specification	
Supply Voltage	12V dc to 30V dc
Supply Current	< 30mA
Transceivers	Echelon FT5000 / FT-X1
Baudrate	78kbs
Connectors	5mm screw terminals
Physical	
Enclosure	ABS DIN Rail mounting.
Dimensions (H x W x D)	86mm x 105mm x 58mm

Typical System Architecture



Cooper Intelligent Addressable Control Panels

If the EC200 is located at the end of the system (spur) a 102Ω termination resistor must be fitted 1A, 1B.

Standard Connections

Channel 1 - must be connected to the Cooper fire network.

Channel 2 - must be connected to the BMS.

PIN	Description
4	CHANNEL 1 A
5	CHANNEL 1 B
6	CHANNEL 1 A
7	CHANNEL 1 B
11	CHANNEL 2 A
12	CHANNEL 2 B
13	CHANNEL 2 A
14	CHANNEL 2 B
17	SUPPLY +
18	0V

Product Codes

Code	Description
EC200	Dual-channel LonWorks BMS Interface (non handshake)
EC200H	Dual-channel LonWorks BMS Interface (handshaking)
EC200S	Dual-channel LonWorks BMS Interface (self configuring for use with EC700)