

DX CONNEXION™

# DXc Range Data Sheet

1, 2 and 4 loop, networkable,  
multi-protocol, analogue addressable  
fire alarm control panel

## Product Overview

The Morley-IAS by Honeywell DX Connexion is a compact, high performance, feature rich, economical fire alarm control panel designed to help both the installer and the end user in the protection of small to medium sized buildings.

The DX Connexion connects the traditional Morley-IAS qualities of reliability, flexibility and value with advanced features and intuitive functionality.

The most powerful and flexible fire alarm control panel in its class. Simply fix the control panel to the wall, connect the field wiring, power up and in as few as five button presses you can have a compliant, working fire alarm system.

The panel's large graphical display provides a clear menu structure making the whole initial set-up process quick, clear and intuitive.



**MORLEY IAS**  
FIRE SYSTEMS  
by Honeywell



## Product Overview (Continued...)

Additionally, programming the control panel couldn't be easier. Complex configuration can be achieved by using either the familiar alpha-numeric style key pad or by using the Windows PC programming tool supplied with the panel. The flexible PC programming tool also allows text messages for devices or zones to be imported from an Excel spread sheet adding flexibility and saving further time onsite.

## User Interface

Display	6x40 character (240x64 pixels) blue liquid crystal display with backlight illumination
Control Keys	Evacuate, Silence/Resound, Mute Buzzer, Extend Delay, System Reset, Show Alarm Zones
Programmable Keys	2 independent programmable function keys and LED indicators
Programming Keys	12 button alpha numeric key pad inc cancel and return keys plus 4 navigation keys and an OK key
Indicators	Fire, Fault, Disablement, Test, Buzzer Muted, Delayed Mode, Sounders Silenced, Sounders Disabled and Power. Also dedicated fault LEDs for System Fault, Supply Fault and Earth Fault. 40, 80 or 160 LED fire zone indicators optional.

## Protocol Devices

Supports Apollo (Xplorer, XP95 and Discovery), Hochiki (ESP) & System Sensor protocol devices.

Loop Capacity<sup>2</sup>: 500mA per loop

Number of Devices	Apollo Protocol	Hochiki Protocol	System Sensor Protocol
126	✓	✓	-
198	-	-	✓
<b>Total Number of Devices</b>		<b>198</b>	
<b>Sensors</b>		<b>99</b>	
<b>MCPs, Modules &amp; AV products</b>		<b>99</b>	

## Networking Features

- Network up to 16 loops (16x1 loop panels, 8x2 loop panels, 4x4 loop panels or any mix up to max 16 loops)
- True peer-to-peer and fault tolerant network for high system reliability
- BS5839 part 1 compliant network

## Panel Features

- Disable all relays
- Optional 40, 80 or 160 zone alarm LEDs
- Easy 5 key-press set-up
- Large blue LCD display
- Supports USB upload/download
- Alpha-numeric style keypad and navigation keys
- Option to upload a company logo
- 160 zone compact mimic support
- Panel buzzer 'mute' in engineering mode
- Up to 72 hour standby

## Software Features

- PC configuration software (supplied with panel)
- 80 fire zones (can be used with or without LEDs)
- 7 day timers
- Event logging
- Onboard diagnostics
- Class change function
- Coincidence and verification detection for false alarm management
- Sensitivity adjustment e.g. between day and night
- Input/output logic
- Enhanced zone support up to 160 LEDs
- Type B dependency
- Alternative zone referencing scheme

## Hardware Features

- Battery backed real-time clock (2 & 4 loop)
- 2 independent sounder circuits
- 500mA multi-protocol loop driver
- 2 x onboard monitored inputs
- Optional programmable keyswitch for selected functions
- Plug-in connectors

### Output Relays:

Fire relay: Single pole changeover 24V DC 1A  
 Fault relay: Single pole changeover 24V DC 1A  
 Aux relay: Programmable single pole changeover 24V DC 1A

### Onboard Data Ports:

1 x RS485 (Repeater connection)  
 1 x PC Programming Port<sup>4</sup>

### Optional Ports:

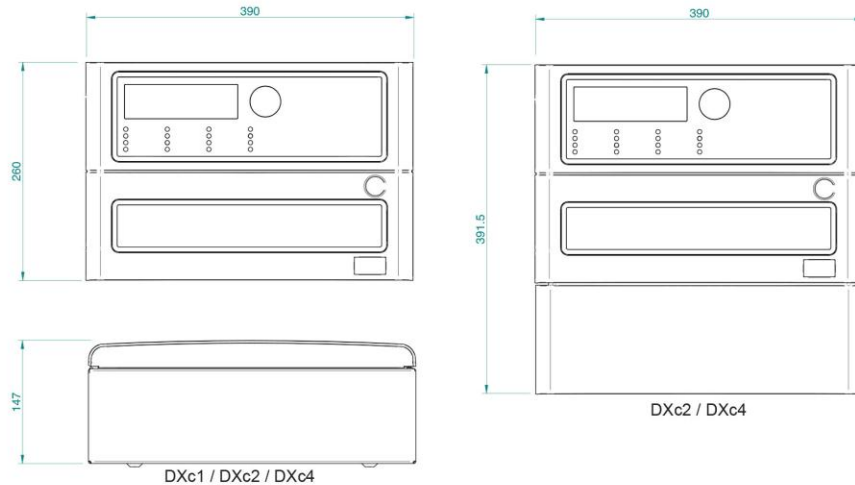
RS232 third party protocol interface

### Sounder Circuits:

2 output circuits, 1A per circuit.<sup>1</sup>

## Mechanical DXc1 DXc2 DXc4

Dimensions [mm] (H x W x D)	260 x 390 x 147	391.5 x 390 x 147	391.5 x 390 x 147
Weight (Excluding Batteries)	4kg	4.5kg	4.5kg
Colour	RAL 9002 - Grey white	RAL 9002 - Grey white	RAL 9002 - Grey white
Mounting Holes	3	3	3
Knockouts (20mm)	Top: 25x Bottom: 2x	Top: 25x Bottom: 4x	Top: 25x Bottom: 4x
Operating Temperature	0°C to +40°C	0°C to +40°C	0°C to +40°C
Relative Humidity	5% - 95% non-condensing	5% - 95% non-condensing	5% - 95% non-condensing
	IP30 (EN6059)	IP30 (EN6059)	IP30 (EN6059)
Material	Mild steel sheet rear enclosure. ABS plastic front cover to BS EN60950. All displays and controls are carried on the enclosure door.		



## Electrical DXc1 DXc2 DXc4

Operating Voltage	110 / 230V AC +/-15%	110 / 230V AC +/-15%	110 / 230V AC +/-15%
PSU Rating	24V DC 2A	24V DC 4A	24V DC 4A
Stand-by Batteries <sup>5</sup>	2 x 7Ah	2 x 17Ah	2 x 17Ah
Stand-by Battery Duration <sup>3</sup> (Based on Apollo devices)	Stand alone: 24 hours back-up with either network card or repeater connected	Stand alone: 72 hours. With network card or repeater connected: 48 hours	Stand alone: 48 hours. With network card or repeater connected: 24 hours
Auxilliary Output <sup>1</sup>	+24V DC 250mA fused	+24V DC 250mA fused	+24V DC 250mA fused

### Notes:

<sup>1</sup> Maximum available current will be dependent on full control panel loading.

<sup>2</sup> Only one protocol can be selected within the control panel.

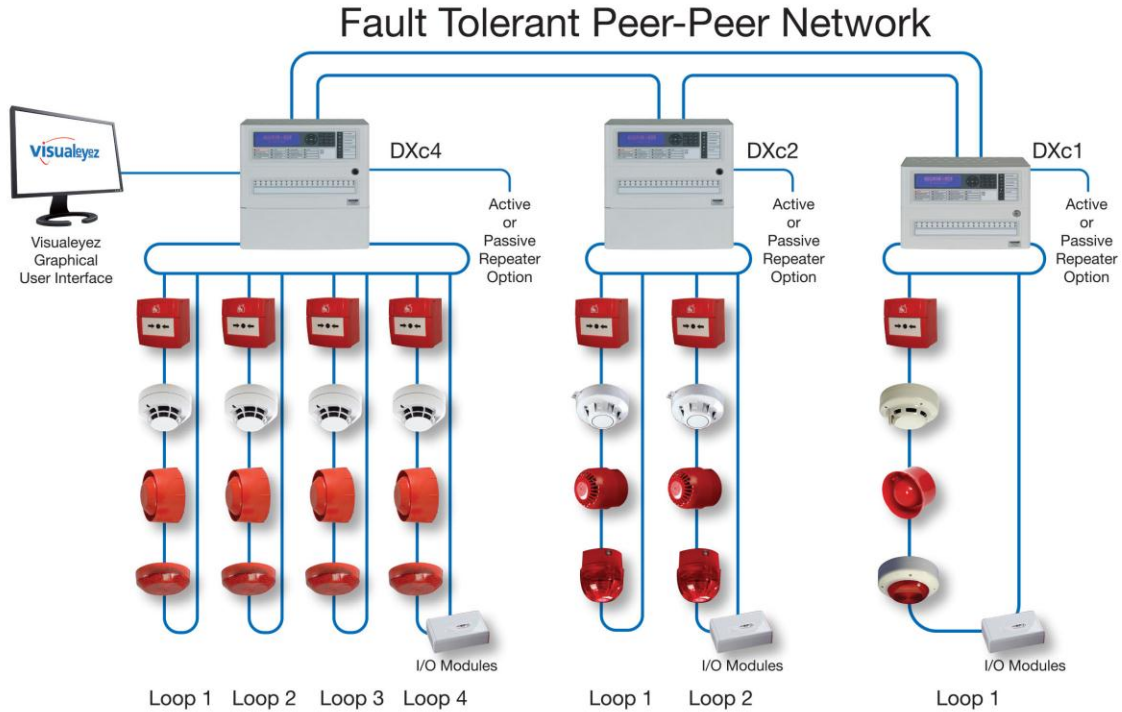
<sup>3</sup> Stand-by dependent on type and quantity of devices installed.

<sup>4</sup> Requires RS232 or USB interface lead.

<sup>5</sup> Not included.



# DXc System Example



## Part Numbers

### Panels

- 714-001-111 DXc1 One loop Fire Alarm Control Panel
- 714-001-221 DXc2 Two loop Fire Alarm Control Panel
- 714-001-241 DXc4 Four loop Fire Alarm Control Panel

- 709-601-001 Morley Active Repeater
- 709-701-001 Morley Passive Repeater
- 795-097 Engineers SPK (Software Programming Kit)
- 795-099 Network card
- 795-101 Blank cover kit for Extension Box
- 795-102 40 zone LED card kit
- 795-103 DXc Extension cover, comes with 80 zones LED card
- 795-111 2 loop expansion card
- 795-112 Bezel kit for DXc1 (mm: h:342 x w:471.5 x d:13)
- 795-113 Bezel kit for DXc2/4 (mm: h:473.5 x w:471.5 x d:13)

### Accessories

- 795-114 Bezel kit DXc1 plus Extension Box
- 795-115 Bezel kit DXc2/4 plus Extension Box
- 795-116 Custom keyplate cover for Extension Box
- 795-118 Keyswitch kit
- 795-119 Rack mounting kit DXc1
- 795-120 Rack mounting kit DXc2/4
- 795-121 Extension back box
- 795-122 RS232 Kit (for third party protocol)
- 795-124 80 zone LED card kit
- 797-090 DXc EN54-4 compliant PSU
- 020-909 DXc Compact Mimic
- 020-910 DXc Expansion Mimic PCB
- 020-891 USB isolated upload/download lead
- See price list Visualeyez options

For further details on these or any other Morley-IAS products please contact your local distributor, Morley-IAS Business Manager or via our contact details found below.



Every care has been taken in the preparation of this datasheet but no liability can be accepted for the use of the information therein. Design features may be changed or amended without prior notice.  
© Morley-IAS by Honeywell 2014