

features

- Modbus protocol supported
- IP67 rated enclosure
- Integrates seamlessly with ZX control panels
- RS232 third party data port

The Modbus interface unit connects to the RS-485 peripheral bus of the ZX series fire alarm control panels and allows panel interrogation by a Modbus control system. Information on the states of panel outputs, peripherals, detectors and the general operating condition of the panel can be requested.

The unit consists of a circuit card mounted on a steel plate within a polycarbonate IP67 rated enclosure, as shown above. Pre-pressed knock-outs on the box sides allow cable entry glands to be fitted for power and communication line wiring.

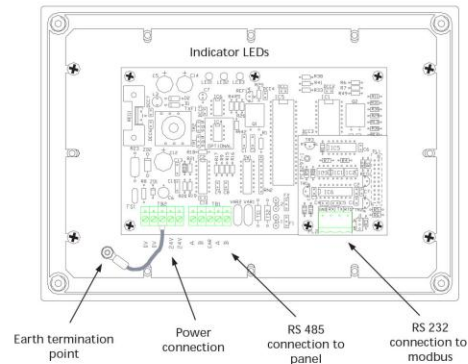
A DC supply in the range of 18-28 Vdc, typically 24 Vdc, rated at 150 mA, is required to power the interface. An on board switch mode power supply isolates this input from all communication circuitry. An adequate DC supply can be obtained from the fire control panels auxiliary 24 Vdc output (see fire control panel manual). An earth reference should be connected to the Modbus Interface Platforms Earth termination point from the supply earth (i.e. fire control panel entry gland).

For a complete listing of the commands supported please refer to the installation guidelines and commissioning instructions, document EXP-057.

mechanical

Dimensions 250 x 175 x 75 (W x H x D mm)

Weight 1.1 kg



Modbus interface unit Data Sheet

324(08/02)

We reserve the right to change or amend any design or specification in line with our policy of continuing development and improvement. © Morley-IAS Fire Systems 2002



electrical

Power consumption 120 mA @ 24 Vdc

Power Supply 18 V to 28 Vdc

LED indicators

- LED1 - Blinks at 1Hz when unit is powered.
- LED2 - Indicates Modbus data is currently being received on the RS-232 port which is addressed to the unit.
- LED3 - Indicates Panel data is currently being received on the RS-485 port which is addressed to the unit.

Modbus Communication Settings

Parameter	Setting
Mode	RTU
Baud rate	9600 baud
Data bit	8
Framing	1 start bit, 1 stop bit
Parity	None
Interface	RS232

Note

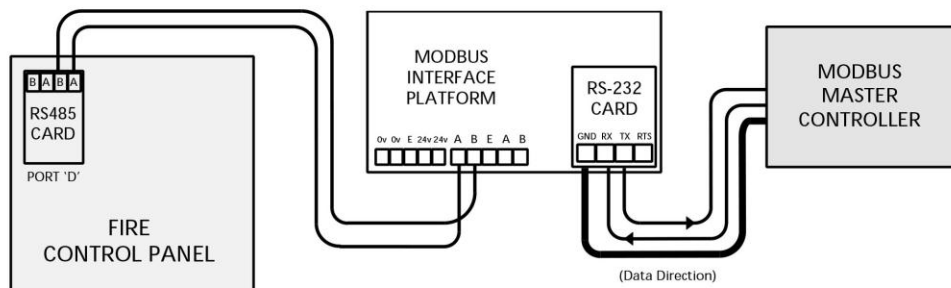
The fire control panel must be running software version 560 or higher to support a Modbus interface unit.

part numbers

795-057 Modbus Interface Unit

accessories

795-004-001 RS485 communication card.



Your Local Distributor